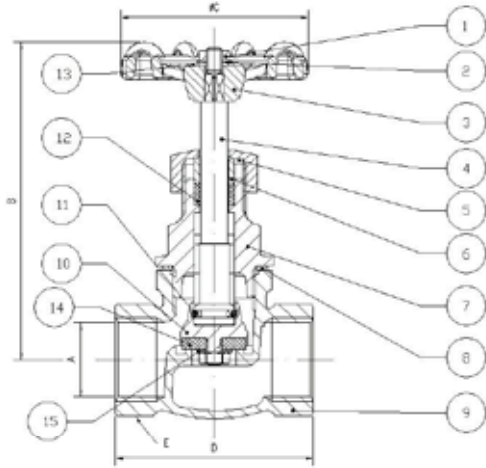


# Bonze Globe Valve

PN16, Screwed BSPP Female, PTFE Disc Seat



Pressure/Temperature Ratings	
Pressure	PN16
Temperature	-10°C to 180°C

Material List				
A	B	CØ	D	E
½"	82	50	50	CH27
¾"	85	55	60	CH33
1"	97	70	70	CH41
1¼"	107	80	85	CH50
1½"	113	80	90	CH58
2"	125	110	110	CH70

Material List		
1	Nut	CW614-N Brass
2	Wheel Washer	Galvanised Steel
3	Handwheel	Aluminium
4	Stem	CW614-N Brass
5	Cap	CW614-N Brass
6	Packing	CW614-N Brass
7	Screw	CW614-N Brass
8	Seal	SIL C4400
9	Body	CC491 K
10	Shutter Seal	CW614-N Brass
11	Ring	Galvanised Steel
12	Stop	Viton
13	Sealing Plate	Aluminium
14	Seal	PTFE
15	Washer Stops	CW614-N Brass

## Bronze Globe Valve - PN32

Integral PTFE Seat, Screwed BSPP Female BS21, Cast Handwheel

### Maximum Pressure Conditions

	Max Pressure Conditions (bar)		Test Pressures (bar)	
	Temperatures up to 100°C	Temperatures up to 198°C	Shell	Seat
1/4" - 3"	32.0	14.0	48.0	35.2

### Pressure Equipment Directive Category

1/4" to 1"	1/4" to 3"
SEP	CAT1(CE)

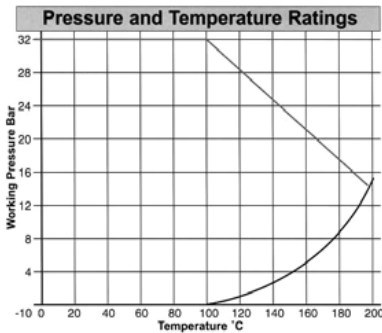
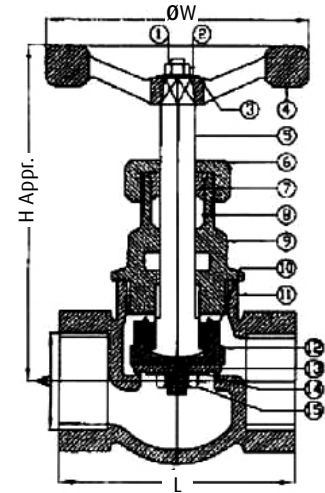
### Flow Rates (with valve fully open)

	1/4"	3/8"	1/2"	3/4"	1"
<b>Kv</b>	0.93	0.95	1.75	2.50	3.28
	1 1/4"	1 1/2"	2"	2 1/2"	3"
<b>Kv</b>	7.32	9.55	17.45	30.53	43.17

\*Kv - flow rate in m<sup>3</sup> per hour at a pressure drop of 1 bar.

### Material List

Part No.	Qty.	Description	Material	Specification
1	1	Nut	M.S.	BS 916
2	1	Washer	M.S.	BS 916
3	1	Disc Plate	Aluminium	Any Grade
4	1	Hand Wheel	C.I. / Aluminium	BS 1452 Gr 220 / Alloy LM2
5	1	Stem	Brass	CZ114 OF BS 2872 / 2874
6	1	Gland Nut	Bronze	BS 1400 LG2
7	1	Gland	Bronze	BS 1400 LG2
8	1	Gland Packing	Teflon	Glass Filled PTFE
9	1	Bonnet	Bronze	BS 1400 LG2
10	1	Check Nut	Bronze	BS 1400 LG2
11	1	Body	Bronze	BS 1400 LG2
12	1	Disc Holder	Bronze	BS 1400 LG2
13	1	Disc	Teflon	Glass Filled PTFE
14	1	Washer	Bronze	BS 1400 LG2
15	1	Lock Nut	Brass	CZ114 of BS 2872 / 2874



### Dimensions

Size	A	L	H	ØW
8	1/4" BSP	53	83	49
10	3/8" BSP	53	83	49
15	1/2" BSP	55	87	52
20	3/4" BSP	67	98	59
25	1" BSP	79	110	67
32	1 1/4" BSP	88	115	73
40	1 1/2" BSP	101	135	85
50	2" BSP	123	157	85
65	2 1/2" BSP	135	204	110
80	3" BSP	156	215	133

## Bronze Globe Valve - SDNR

PN16, Screwed BSPP Female, PTFE Seat

### Pressure/Temperature Ratings

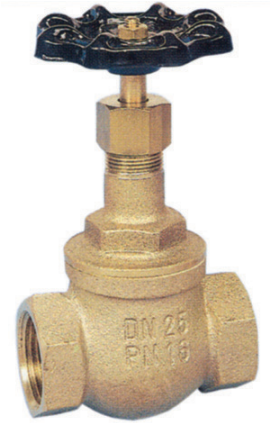
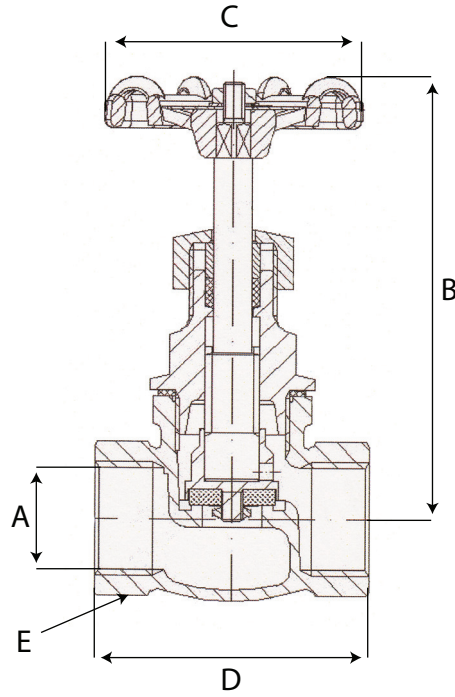
Pressure	PN16
Temperature	-10°C to 180°C

### Material List

Part	Material
Body	Bronze
Stem	Brass
Seat	PTFE
Handwheel	Cast

### Dimensions

A	B	C	D	E	Kg
1/2"	80	50	60	CH27	0.42
3/4"	86	55	70	CH33	0.6
1"	96	70	80	CH41	0.92
1 1/4"	110	80	96	CH50	1.3
1 1/2"	115	80	105	CH58	1.65
2"	128	110	130	CH70	2.65



## Bronze Body Globe Valve

Bronze Body & Bonnet, Cast Handwheel PTFE Seat,  
Available Drilled PN6/10/16/ASA 150 & BS10 Table D & E

### Pressure/Temperature Ratings

Working Pressure	PN16
Operating Temperature	-10°C to 180°C

### Test Pressure

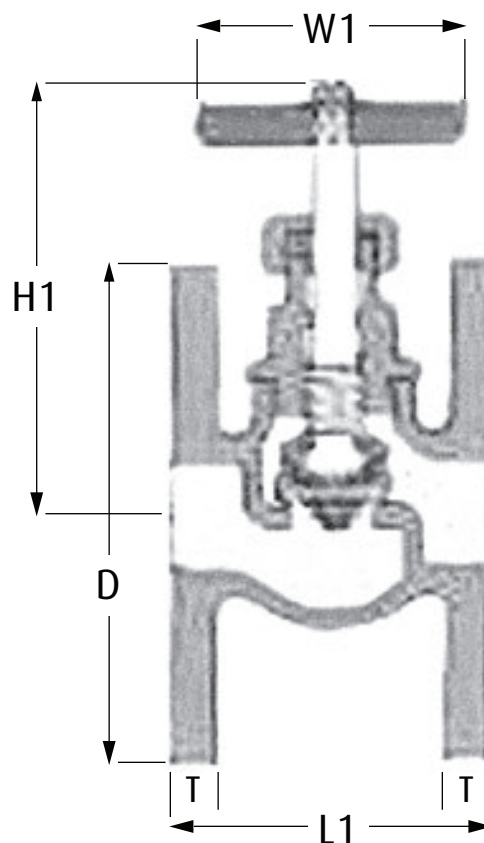
	Class I	Class II
Body	1.5 Mpa (15Kg/cm <sup>2</sup> )	2.4Mpa (24Kg/cm <sup>2</sup> )
Seat & Back Seat	1.0 Mpa (10Kg/cm <sup>2</sup> )	1.6 Mpa (16Kg/cm <sup>2</sup> )

### Material List

Part No.	Name of Parts	Material	Standard
1	Body	Bronze	BS:1400 LG-2
2	Disc	Bronze	BS:1400 LG-2
3	Disc Nut	Bronze	BS:1400 LG-2
4	Bonnet	Bronze	BS:1400 LG-2
5	Stem	Brass	CZ 122 OF BS:2874
6	Gland Packing	Teflon	PTFE
7	Gland	Bronze	BS:1400 LG-2
8	Gland Nut	Bronze/ Forged Brass	BS:1400 LG-2/ CZ 122 OF BS:2874
9	Hand Wheel	Cast Iron/ Aluminium	ASTM A536 -1980
10	Washer	Mild Steel	BS:936
11	Screw	Mild Steel	BS:936
12	Disc Face	Teflon	PTFE

### Dimensions

DN	Size	L1	H1	W1	D	T
1/2"	15	70	83	58	95	6
3/4"	20	90	83	58	105	6
1"	25	98	112	67	115	8
1 1/4"	32	110	112	73	140	8
1 1/2"	40	130	132	85	150	9
2"	50	150	154	110	165	11
2 1/2"	65	190	183	110	185	13
3"	80	210	218	133	200	13
4"	100	220	233	173	220	16



## Bronze Globe Valve - Table F

Bronze Body & Bonnet, Cast Handwheel PTFE Seat,  
Also Available Drilled PN6/10/16/ASA 150 & BS10 Table D & E



### Pressure/Temperature Ratings

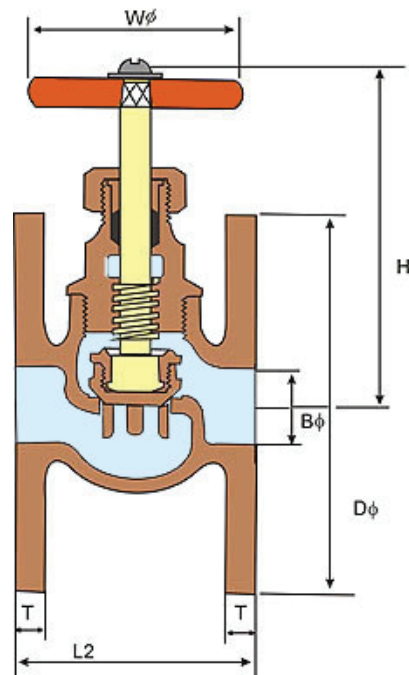
Pressure	PN16
Temperature	-10°C to 180°C

### Material List

Body	Bronze
Bonnet	Bronze
Disc	Bronze
Disc Nut	Bronze
Stem	High Tensile Brass
Gland	Bronze
Gland Nut	Bronze
Handwheel	Cast Iron

### Dimensions

Size	L2	B	D	T	H	W
½"	55	15	95.3	8	87	52
¾"	64	19	101.6	8	98	59
1"	76	25	120.7	9.6	110	67
1¼"	83	32	133.4	9.6	115	73
1½"	98	38	139.7	11.2	135	85
2"	110	50	165.1	11.2	157	85
2½"	156	65	184.2	12.7	204	110
3"	162	80	203.2	14.3	215	133
4"	197	100	228.6	17.5	232	149



## Bronze Globe Valve - Angle Pattern

PN16, Screwed BSPP Female, PTFE Seat

### Pressure/Temperature Ratings

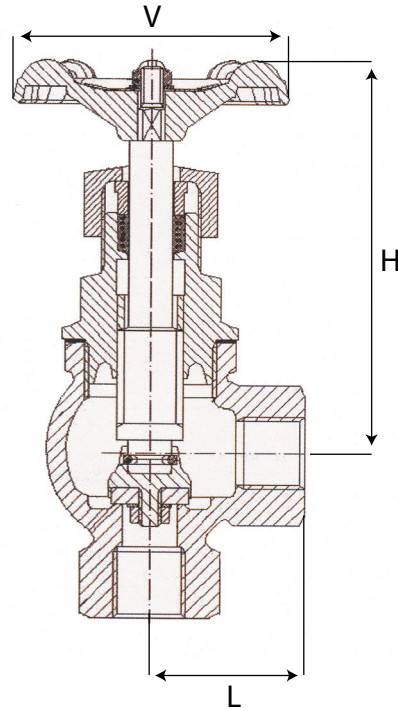
Pressure	PN16
Temperature	-10°C to 180°C

### Material List

Part	Material
Body	Bronze
Stem	Brass
Seat	PTFE
Handwheel	Cast

### Dimensions

Size	L	H	V	Kg
1/2"	35	75	55	0.42
3/4"	40	85	70	0.6
1"	45	100	70	0.92
1 1/4"	50	105	80	1.3
1 1/2"	60	110	110	1.65
2"	65	120	110	2.65



## Bronze Self-Closing Lever Globe Valve

Screwed BSPP Female, PTFE Disc, Steel Spring

### Pressure/Temperature Ratings

Pressure	PN16
Temperature	-10°C to 120°C

### Dimensions

ØC	A	B	D
½"	130	45	60
¾"	130	48	70
1"	130	55	80
1¼"	160	59	96
1½"	160	67	104
2"	160	79	130

