

627 Series Pressure Reducing Regulators

Introduction

The 627 Series direct-operated pressure reducing regulators (Figure 1) are for low and high-pressure systems. These regulators can be used with natural gas, air, or a variety of other gases. Performance characteristics vary according to construction (see the Specifications section).

Features

- **Internal Relief Valve**—Types 627R, 627LR, and 627MR regulators have an internal relief valve, which in many cases eliminates the usual requirement for an external relief valve, thereby reducing equipment and maintenance costs. Refer to the Specifications section for performance data.
- **Types 627R, 627LR, and 627MR Travel Stop**— The internal relief valve still works if the disk or linkage fails. The pusher post (Figure 6) contacts the travel stop of the lever retainer and, as the diaphragm continues to rise, it opens the relief valve.
- **Relief Operation Indicator**—A rubber cap (Figure 7) slipped on the vent assembly pops off when the relief valve opens, indicating the relief valve has opened since the last inspection.
- **Easy to Maintain**—Trim parts can be replaced without removing the regulator body from the pipeline. A two-bolt connection between the body and diaphragm casing simplifies disassembly for maintenance.
- **Installation Adaptability**—The diaphragm case and/or regulator body can be rotated in any of four positions to allow regulator installation in locations with limited space (Figure 8). The regulator may be installed in any position without affecting operation as long as the spring case vent is protected from the elements.
- **Application Versatility**—The different 627 Series constructions can be used as farm tap regulators, regulator-relief valves, monitoring regulators, or high-pressure industrial regulators.
- **Extended Body Option**—The Type 627 Long Body is available with same face-to-face dimensions as the Type 630 with threaded NPT end connections.
- **Tamper-Resistant**—An adjusting screw locknut and protective cap (Figure 2) is standard on all 627 Series regulators to discourage tampering with the pressure setting.
- **Wide Range of Flow Capabilities**—A selection of body sizes and orifice sizes is available to satisfy various flow requirements.
- **Tight Shutoff Capability**—A flat-faced disk of Nitrile (NBR), Nylon (PA), or Fluorocarbon (FKM) provides excellent shut-off capability.



W4793

Figure 1. Typical 627 Direct-Operated Pressure Reducing Regulator

Bulletin 71.1:627

Specifications

The Specifications section gives some general specifications for the 627 Series regulators. The nameplates give detailed information for a particular regulator as it comes from the factory.

Available Constructions

- Type 627:** Direct-operated pressure reducing regulator equipped with a pitot tube for greater regulated capacities (Figure 2).
- Type 627R:** Type 627 with internal relief and open throat (Figure 3).
- Type 627LR:** Type 627R with light rate relief spring (Figure 3).
- Type 627M:** Type 627 with a stem seal between the body outlet pressure and diaphragm case. Pressure is measured under the diaphragm through the 1/4 NPT downstream control line connection (Figure 2).
- Type 627MR:** Type 627M with internal relief (Figure 4).
- Type 627H:** Type 627 with a diaphragm limiter to deliver a higher outlet pressure (Figure 5).
- Type 627HM:** Type 627H with a stem seal between the body outlet pressure and diaphragm case. Pressure is measured under the diaphragm through the 1/4 NPT downstream control line connection (Figure 5).

Body Sizes and End Connection Styles

BODY SIZE		END CONNECTION STYLE	CONSTRUCTION AVAILABLE
NPS	DN		
3/4	----	NPT	All
1	25	NPT, CL150 RF, CL300 RF, CL600 RF, and Long Body	
2	50	NPT, CL150 RF, CL300 RF, CL600 RF, and Long Body	

Maximum Inlet Pressure⁽¹⁾ (Body Rating)

- NPT Stainless Steel:** 2000 psig / 138 bar
- Flanged Stainless Steel:** 1440 psig / 99.3 bar
- NPT Steel:** 2000 psig / 138 bar
- Flanged Steel:** 1500 psig / 103 bar
- Ductile Iron:** 1000 psig / 69.0 bar

Maximum Valve Disk Inlet Pressure Rating⁽¹⁾

- Nylon (PA) Disk:** 2000 psig / 138 bar
- Nitrile (NBR) Disk:** 1000 psig / 69.0 bar
- Fluorocarbon (FKM) Disk:** 300 psig / 20.7 bar

Maximum Operating Inlet and Outlet Pressure Ranges⁽¹⁾

See Table 2 for pressures by orifice size and spring range

Maximum Spring and Diaphragm Casing Pressure⁽¹⁾

See Table 3

Maximum Body Outlet Pressure⁽¹⁾⁽²⁾ (Types 627M, 627MR, and 627HM Only)

- NPT Steel:** 2000 psig / 138 bar
- Flanged Steel:** 1500 psig / 103 bar
- Ductile Iron:** 1000 psig / 69.0 bar

Orifice Sizes

See Table 2

Internal Relief Performance

- Type 627R:** See Table 4 and Figure 9
- Type 627LR:** See Table 5
- Type 627MR:** Limited by field-installed control line piping

Regulator Capacities

- Type 627, 627M, or 627MR:** See Tables 6 to 9
- Type 627H or 627HM:** See Tables 10 to 12
- Type 627R:** See Tables 13 to 14

Flow Coefficients

See Table 15

IEC Sizing Coefficients

See Table 16

Construction Materials

- Body:** Ductile iron, WCC steel, stainless steel
- Spring Case and Diaphragm Case:** WCC steel, stainless steel, ductile iron, or die cast aluminum
- Orifice:** Aluminum (**standard**) or stainless steel
- Disk Holder with Valve Disk:**
 - 2000 psig / 138 bar Maximum Pressure: Aluminum or stainless steel with Nylon (PA)
 - 1000 psig / 69.0 bar Maximum Pressure: Aluminum (**standard**) or stainless steel with Nitrile (NBR)
 - 300 psig / 20.7 bar Maximum Pressure: Stainless steel or aluminum with Fluorocarbon (FKM) disk
- O-Rings:** Nitrile (NBR) or Fluorocarbon (FKM)
- Diaphragm:**
 - Types 627H and 627HM: Neoprene(CR)
 - All Others: Nitrile (NBR) or Fluorocarbon (FKM)

1. The pressure/temperature limits in this Bulletin or any applicable standard limitation should not be exceeded.

2. Types 627, 627H, 627R, and 627LR are limited by maximum diaphragm casing pressure.

- continued -

Specifications (continued)

Relief Indicator

For Types 627R, 627LR, and 627MR (see Figure 7)

Elastomer Temperature Capabilities⁽¹⁾⁽³⁾

MATERIAL	DISK/ DIAPHRAGM	TEMPERATURE	
		°F	°C
Nitrile (NBR)	Disk	-40 to 180	-40 to 82
	Diaphragm		
Fluorocarbon (FKM)	Disk	0 to 180	-18 to 82
	Diaphragm		
Nylon (PA)	Disk	-40 to 180	-40 to 82
Neoprene (CR) for Types 627H and 627HM only	Diaphragm	-40 to 180	-40 to 82

Pressure Registration

Type 627, 627H, 627R, or 627LR: Internal

Type 627M, 627HM, or 627MR: External through 1/4 NPT internal control line connection in the diaphragm casing

De-Icer System

See Figure 10 and Type 627M De-Icer System Application section

Spring Case Orientation and Vent Location

See Figure 8

Spring Case Vent Connection

3/4 NPT with removable screened vent assembly

Approximate Weight

Ductile Iron, Steel, or Stainless Steel Casings:

10 pounds / 5 kg

Aluminum Casing: 6.3 pounds / 3 kg

1. The pressure/temperature limits in this Bulletin or any applicable standard limitation should not be exceeded.
3. Stainless steel body is rated to -40°F / -40°C. Steel and Ductile Iron bodies are rated to -20°F / -29°C.

Principle of Operation

Refer to Figures 2 through 5. When downstream demand decreases, the pressure under the diaphragm increases. This pressure overcomes the regulator setting (which is set by a spring). Through the action of the pusher post assembly, lever, and valve stem the valve disk moves closer to the orifice and reduces gas flow. If demand downstream increases, pressure under the diaphragm decreases. Spring force pushes the pusher post assembly downward and the valve disk moves away from the orifice allowing more flow through the body to the downstream system.

Product Description

Types 627 and 627H Direct-Operated Pressure Reducing Regulators

The Types 627 and 627H regulators provide economical pressure reducing control for a variety of residential, commercial, and industrial applications. The regulator pitot tube located in a high velocity stream provides dynamic boost that compensates for outlet pressure drop (see Tables 6 through 12).

Type 627 Long Body

The Type 627 Long Body regulator can be used as a drop-in replacement for existing Type 630 installations without the need to modify piping.

Internal Relief for Type 627R, 627LR, or 627MR Regulator

The Types 627R and 627LR internal relief performance values (Tables 4 and 5) were obtained **by removing the disk assembly** from the regulator, see Figure 9. For

the Type 627R, 627LR, or 627MR regulator, the internal relief across the diaphragm (Figure 3 or 4) provides overpressure protection in many applications. As outlet pressures build-up above the start-to-discharge point, the diaphragm moves off the relief valve seat allowing the excess pressure to bleed out through the screened vent.

For extra protection, should failure conditions exist which would prevent normal operation of the regulator (for example, disk broken off, or disk erosion), the pusher post contacts the lever retainer (Figure 6) causing the relief valve assembly to open. Since the diaphragm continues to rise as downstream pressure builds, it opens the relief valve, thereby opening the valve. This internal relief may be adequate for the application.

Downstream Control Line for Type 627M, 627HM, or 627MR Regulator

A Type 627M, 627HM, or 627MR regulator has a blocking throat stem seal with O-rings and a 1/4 NPT control line connection in the diaphragm case (Figure 4). A regulator with a downstream control line is used for monitoring applications or other applications where other equipment is installed between the regulator and the pressure control point. The stem seal separates the body outlet pressure from the diaphragm case.

Installation

Regulator operation within ratings does not preclude the possibility of damage from debris in the lines or from external sources. A regulator should be inspected for damage periodically and after any overpressure condition. Ensure that the operating temperature capabilities listed in Specifications section are not exceeded.

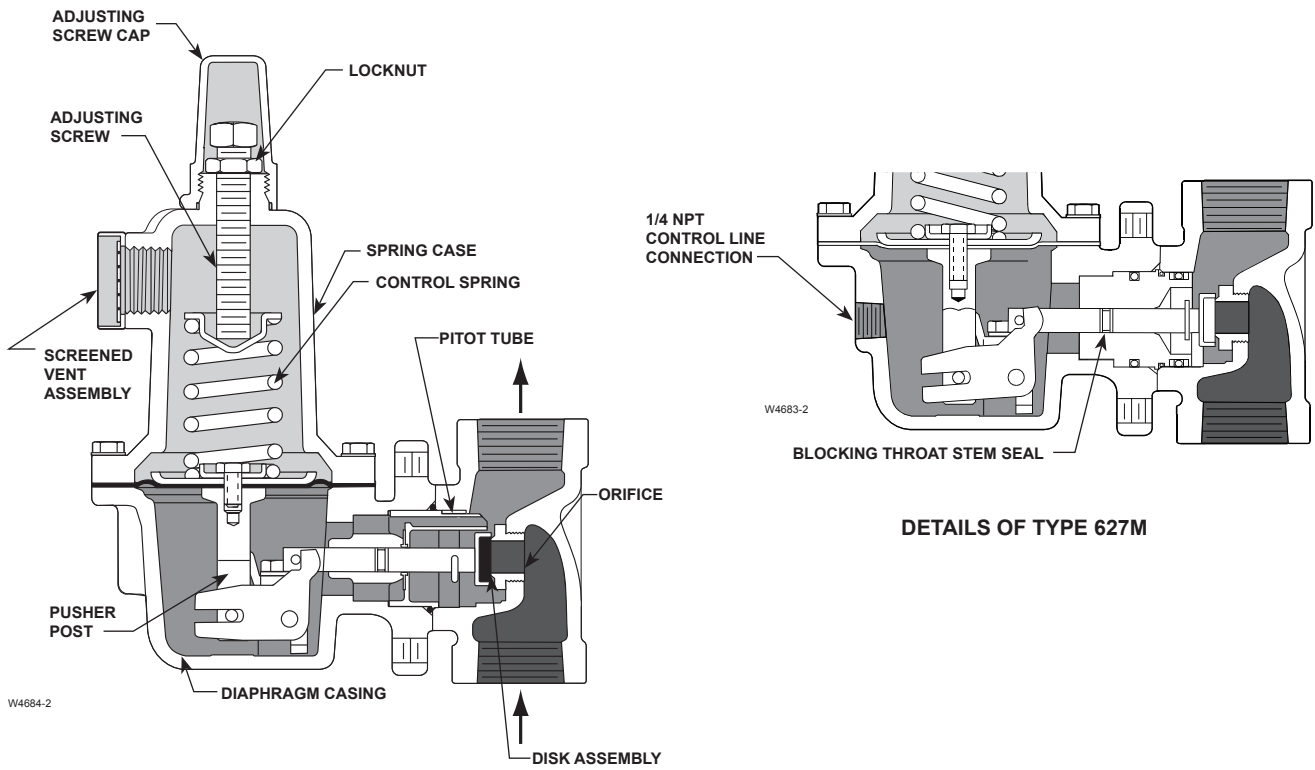


Figure 2. Types 627 and 627M Operational Schematics

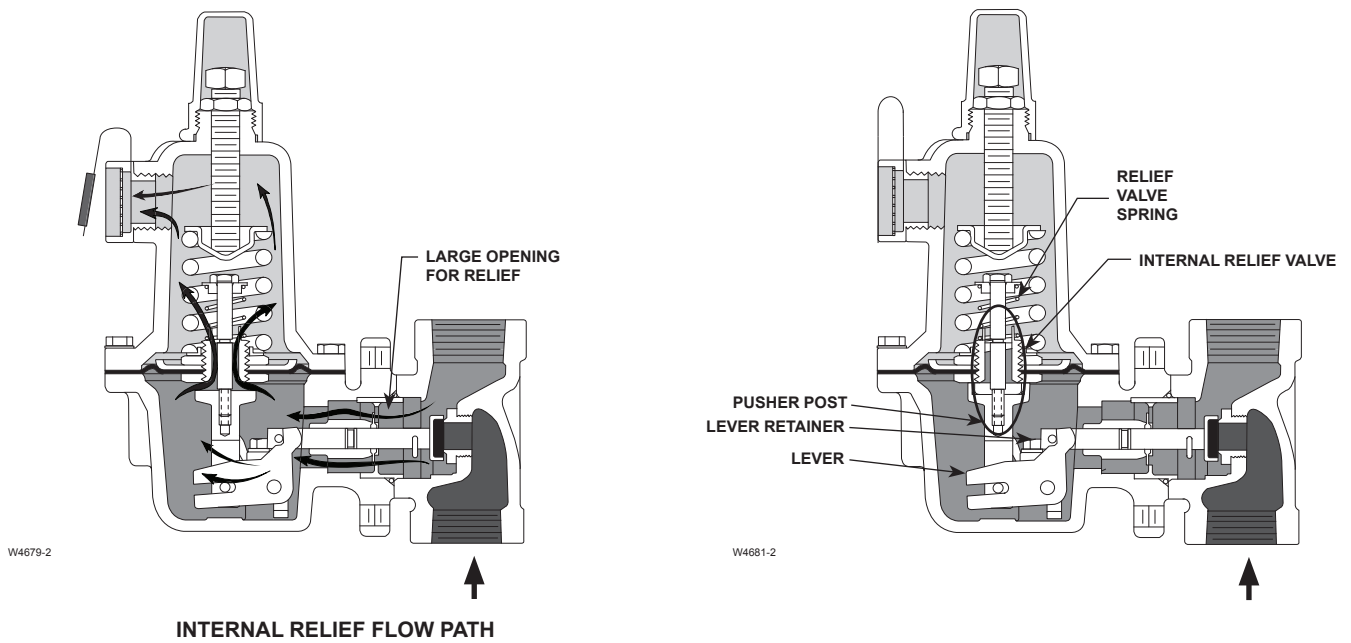


Figure 3. Types 627R and 627LR Operational Schematics

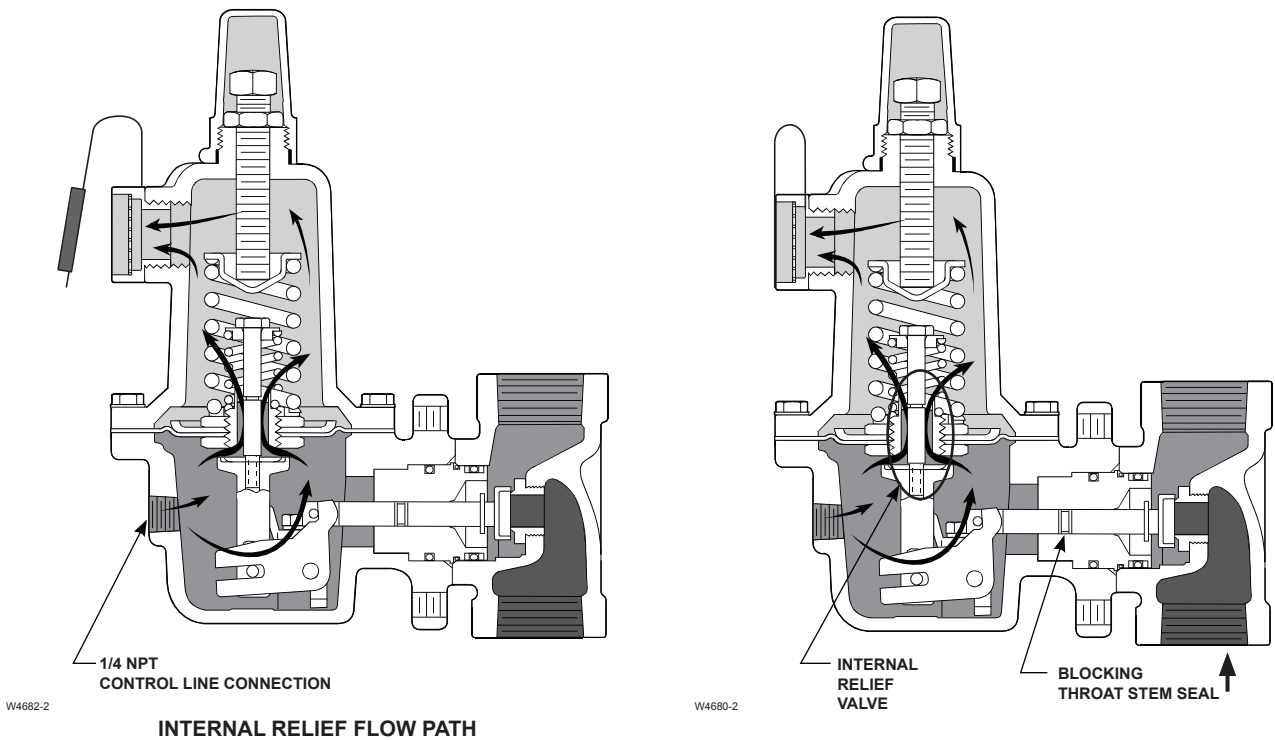


Figure 4. Type 627MR Operational Schematics

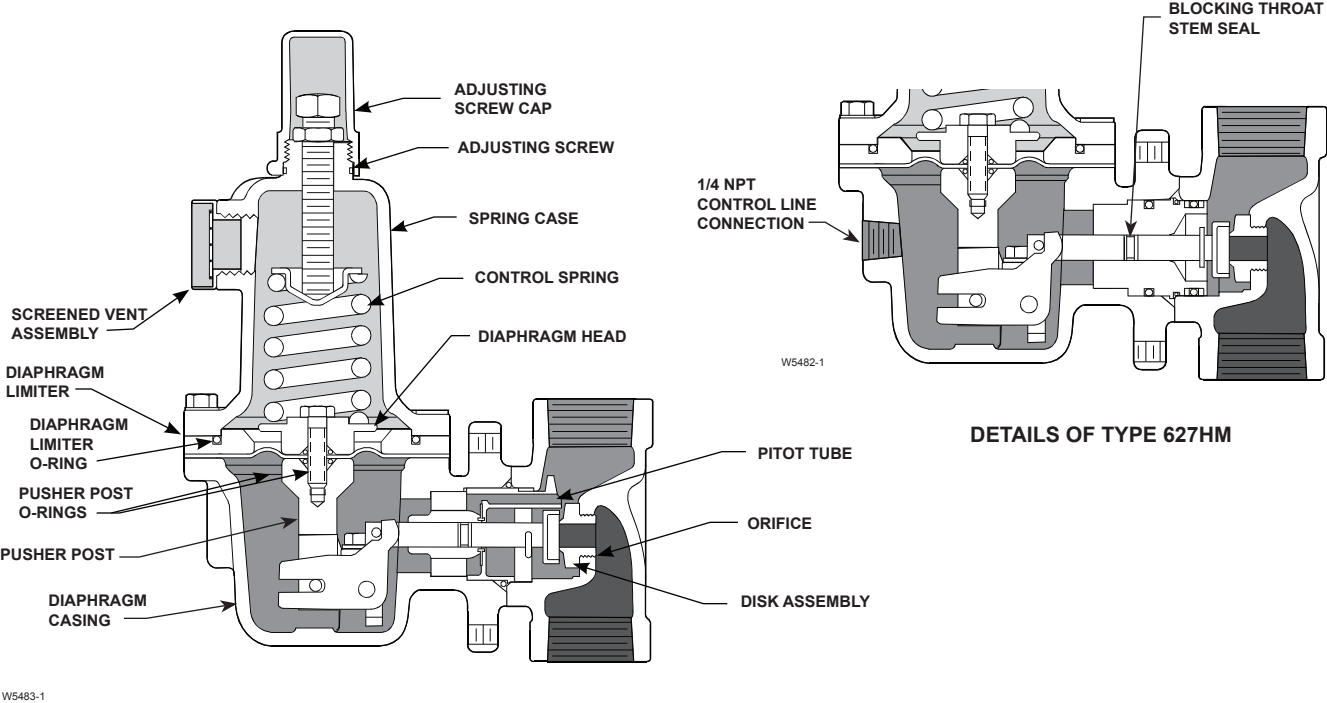
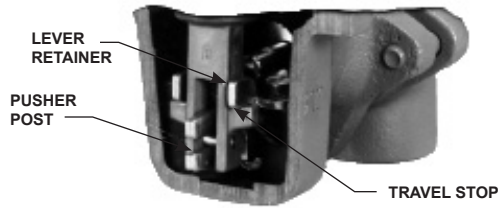
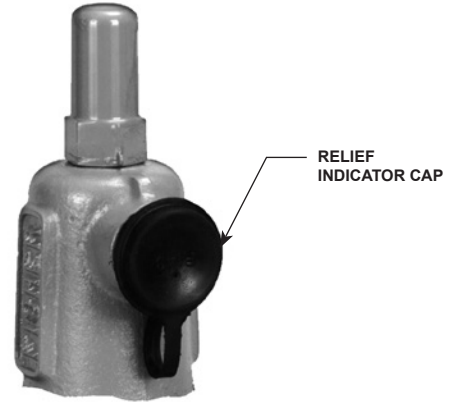


Figure 5. Types 627H and 627HM Operational Schematics



W4666-1

Figure 6. Internal Relief Construction Feature



W4665-1

Figure 7. Relief Indicator

Table 1. Maximum Cold Working Pressure of Body Inlet (Body Rating)⁽¹⁾⁽²⁾

BODY SIZE		BODY MATERIAL	END CONNECTION	MAXIMUM INLET PRESSURE	
NPS	DN			psig	bar
3/4	20	Ductile iron	NPT	1000	69.0
		Steel	NPT	2000	138
		Stainless Steel	NPT	2000	138
1 2	25 50	Ductile iron	NPT	1000	69.0
			NPT	2000	138
		Steel	CL150 RF	290	20.0
			CL300 RF	750	51.7
			CL600 RF	1500	103
			PN 16/25/40	580	40.0
Stainless Steel	CL150 RF	275	19.0		
	CL300 RF	720	49.6		
	CL600 RF	1440	99.3		
	PN 16/25/40	580	40.0		

1. The pressure/temperature limits in this Bulletin, and any applicable standard or code should not be exceeded.
 2. Temperature may decrease these maximum pressures.

Note

If the regulator is shipped mounted on another unit, install that unit according to the appropriate Instruction manual.

Overpressure Protection

627 Series regulators have outlet pressure ratings that are lower than their inlet pressure ratings. A pressure-relieving or pressure-limiting device must be provided by the user for the Types 627, 627H, 627M, and 627HM regulators if the inlet pressure can exceed the outlet pressure rating, since these regulators do not have internal relief.

Types 627R and 627LR regulators provide internal relief which limits the total outlet pressure build-up over setpoint. Use Table 4 or 5 and the following example to determine the maximum inlet pressure allowed to keep the maximum allowable downstream pressure from being exceeded.

Given:

- Desired outlet pressure setting* : 40 psig / 2.8 bar
- Maximum allowable downstream pressure* : 125 psig / 8.6 bar
- Orifice size* : 1/4 inch / 6.35 mm

What is the maximum inlet pressure?

- Control spring range (first column)* : 35 to 80 psig / 2.4 to 5.5 bar
- Outlet pressure setting (second column)* : 40 psig / 2.8 bar
- Maximum allowable downstream pressure (third column)* : 125 psig / 8.6 bar
- Orifice size column across from the 125 psig / 8.6 bar maximum allowable pressure and the column under 1/4-inch / 6.4 mm orifice size* : 1/4 inch / 6.4 mm

From Table 4, the maximum inlet pressure for this example is 300 psig / 20.7 bar.

In many cases the internal relief of Types 627R and 627LR offers full capacity overpressure protection. No additional relief capacity is needed if the actual inlet pressure is equal to or less than the inlet pressure shown under the Maximum Inlet Pressure column heading in Tables 4 and 5.

If the maximum allowable downstream system pressure is less than any of the pressures shown in the third column

Table 2. Maximum Inlet Pressures and Outlet Pressure Ranges

TYPE	OUTLET PRESSURE RANGE, SPRING PART NUMBER, AND COLOR CODE	ORIFICE SIZE		MAXIMUM INLET PRESSURE ⁽¹⁾					
				Nylon (PA) Disk		Nitrile (NBR) Disk		Fluorocarbon (FKM) Disk	
		Inches	mm	psig	bar	psig	bar	psig	bar
627 and 627M ⁽³⁾	5 ⁽²⁾ to 20 psig / 0.34 to 1.4 bar 10B3076X012 Yellow	3/32	2.4	2000	138	1000	69.0	300	20.7
		1/8	3.2	1000	69.0	1000	69.0	300	20.7
		3/16	4.8	750	51.7	750	51.7	300	20.7
		1/4	6.4	500	34.5	500	34.5	300	20.7
		3/8	9.5	300	20.7	300	20.7	300	20.7
		1/2	13	250	17.2	250	17.2	250	17.2
	15 to 40 psig / 1.0 to 2.8 bar 10B3077X012 Green	3/32	2.4	2000	138	1000	69.0	300	20.7
		1/8	3.2	1500	103	1000	69.0	300	20.7
		3/16	4.8	1000	69.0	1000	69.0	300	20.7
		1/4	6.4	750	51.7	750	51.7	300	20.7
		3/8	9.5	500	34.5	500	34.5	300	20.7
		1/2	13	300	20.7	300	20.7	300	20.7
	35 to 80 psig / 2.4 to 5.5 bar 10B3078X012 Blue	3/32	2.4	2000	138	1000	69.0	300	20.7
		1/8	3.2	2000	138	1000	69.0	300	20.7
		3/16	4.8	1750	121	1000	69.0	300	20.7
		1/4	6.4	1500	103	1000	69.0	300	20.7
3/8		9.5	1000	69.0	1000	69.0	300	20.7	
1/2		13	750	51.7	750	51.7	300	20.7	
70 to 150 psig / 4.8 to 10.3 bar 10B3079X012 Red	3/32	2.4	2000	138	1000	69.0	300	20.7	
	1/8	3.2	2000	138	1000	69.0	300	20.7	
	3/16	4.8	2000	138	1000	69.0	300	20.7	
	1/4	6.4	1750	121	1000	69.0	300	20.7	
	3/8	9.5	1250	86.2	1000	69.0	300	20.7	
	1/2	13	750	51.7	750	51.7	300	20.7	
627R and 627MR	5 ⁽²⁾ to 20 psig / 0.34 to 1.4 bar 10B3076X012 Yellow	3/32	2.4	2000	138	1000	69.0	300	20.7
		1/8	3.2	1000	69.0	1000	69.0	300	20.7
		3/16	4.8	750	51.7	750	51.7	300	20.7
		1/4	6.4	500	34.5	500	34.5	300	20.7
		3/8	9.5	300	20.7	300	20.7	300	20.7
		1/2	13	200	13.8	200	13.8	200	13.8
	15 to 40 psig / 1.0 to 2.8 bar 10B3077X012 Green	3/32	2.4	2000	138	1000	69.0	300	20.7
		1/8	3.2	1500	103	1000	69.0	300	20.7
		3/16	4.8	1000	69.0	1000	69.0	300	20.7
		1/4	6.4	750	51.7	750	51.7	300	20.7
		3/8	9.5	300	20.7	300	20.7	300	20.7
		1/2	13	200	13.8	200	13.8	200	13.8
	35 to 80 psig / 2.4 to 5.5 bar 10B3078X012 Blue	3/32	2.4	2000	138	1000	69.0	300	20.7
		1/8	3.2	1750	121	1000	69.0	300	20.7
		3/16	4.8	1000	69.0	1000	69.0	300	20.7
		1/4	6.4	750	51.7	750	51.7	300	20.7
3/8		9.5	300	20.7	300	20.7	300	20.7	
1/2		13	200	13.8	200	13.8	200	13.8	
70 to 150 psig / 4.8 to 10.3 bar 10B3079X012 Red	3/32	2.4	2000	138	1000	69.0	300	20.7	
	1/8	3.2	1000	69.0	1000	69.0	300	20.7	
	3/16	4.8	500	34.5	500	34.5	300	20.7	
	1/4	6.4	300	20.7	300	20.7	300	20.7	
	3/8	9.5	200	13.8	200	13.8	200	13.8	
	1/2	13	200	13.8	200	13.8	200	13.8	
627LR	15 to 40 psig / 1.0 to 2.8 bar 10B3077X012 Green	3/32	2.4			1000	69.0	300	20.7
		1/8	3.2			1000	69.0	300	20.7
		3/16	4.8			750	51.7	300	20.7
		1/4	6.4			500	34.5	300	20.7
627H and 627HM ⁽³⁾	140 to 250 psig / 9.7 to 17.2 bar 10B3078X012 Blue	3/32	2.4	2000	138	1000	69.0		
		1/8	3.2	2000	138	1000	69.0		
		3/16	4.8	1750	121	1000	69.0		
		1/4	6.4	1500	103	1000	69.0		
		3/8	9.5	1000	69.0	750	51.7		
	1/2	13	750	51.7	500	34.5			
	240 to 500 psig / 16.5 to 34.5 bar 10B3079X012 Red	3/32	2.4	2000	138	1000	69.0		
		1/8	3.2	2000	138	1000	69.0		
		3/16	4.8	1750	121	1000	69.0		
		1/4	6.4	1500	103	1000	69.0		
3/8		9.5	1000	69.0	1000	69.0			
1/2	13	750	51.7	750	51.7				

1. For inlet pressure in excess of 1000 psig / 69.0 bar, refer to the maximum body and disk pressure ratings in the Specifications section.
 2. For pressure settings under 10 psig / 0.69 bar, inlet pressure should be limited to approximately 100 psig / 6.9 bar so the setpoint adjustment can be obtained.
 3. The unbalance forces change from the wide-open monitor mode to an active regulator mode such that the Type 627M or 627HM should have a 3/8 inch / 9.5 mm or larger orifice.
 [Shaded] - Shaded areas indicate that Fluorocarbon (FKM) and Nylon (PA) disk material are not available.

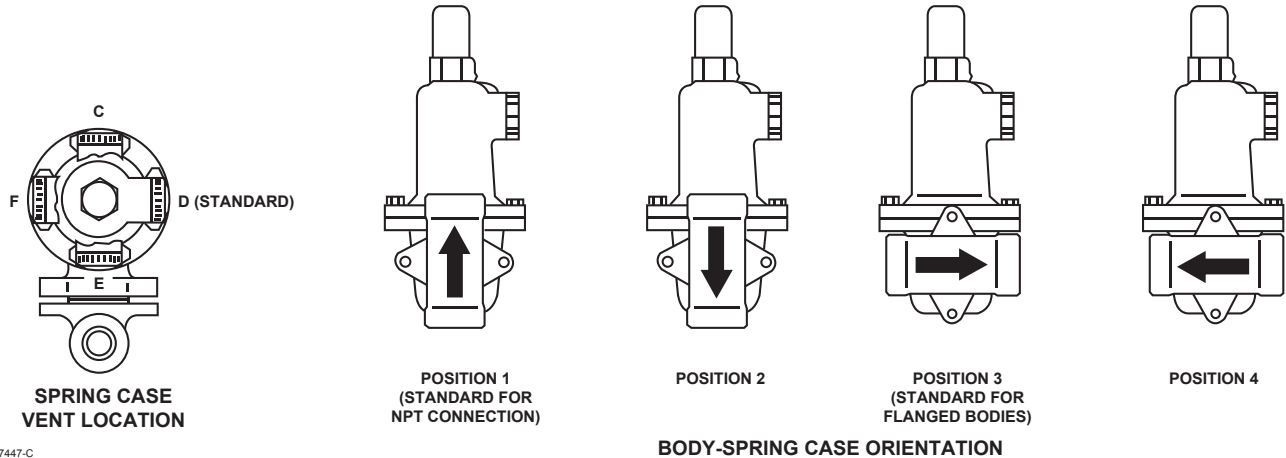


Figure 8. 627 Series Spring Case and Vent Location

of Tables 4 and 5, use a separate relief valve or a monitor regulator since the internal relief will not open at pressures lower than shown in the table.

If the actual inlet pressure is higher than the pressure shown, in the Maximum Inlet Pressure column, to protect to the level shown, an additional relief valve is needed to supplement the relief capacity of the Type 627R or 627LR internal relief or a full capacity separate relief valve or monitor regulator may be used.

To size a supplemental relief valve to use with the Type 627R or 627LR:

1. Use the universal sizing equation to calculate the wide-open capacity of the regulator port (Q_1) using:
 - a. Actual inlet pressure (P_1), psia
 - b. Maximum allowable downstream system pressure (P_2) from Table 4 or 5, column 3
 - c. C_g from Table 15
2. Use the universal sizing equation to calculate the internal relief flow (Q_2) using:
 - a. Maximum inlet pressure (P_1) from Table 4 columns 4 through 9 for Type 627R or Table 5 columns 4 through 7 for Type 627LR (use the pressure from the table even though the actual pressure will be higher). Remember the equation requires pressures to be converted to psia.
 - b. Maximum allowable downstream system pressure (P_2) from Table 4 or 5
 - c. C_g from Table 15
3. Calculate supplemental relief capacity:
 - a. Q supplemental relief = $Q_1 - Q_2$

Example:

<i>Outlet pressure setting</i>	: 10 psig / 0.69 bar
<i>Maximum allowable downstream system pressure</i>	: 60 psig / 4.1 bar
<i>Inlet pressure</i>	: 300 psig / 20.7 bar
<i>Orifice size</i>	: 1/4 inch / 6.4 mm

Step 1.

$$P_1 = 300 \text{ psig} / 20.7 \text{ bar}$$

$$P_2 = 60 \text{ psig} / 4.1 \text{ bar}$$

$$C_g, 1/4\text{-inch} / 6.4 \text{ mm orifice} = 50$$

$$Q_1 = 20,300 \text{ SCFH} / 544 \text{ Nm}^3/\text{h}$$

Step 2.

$$P_1 = 190 \text{ psig} / 13.1 \text{ bar}$$

$$P_2 = 60 \text{ psig} / 4.1 \text{ bar}$$

$$C_g, 1/4\text{-inch} / 6.4 \text{ mm orifice} = 50$$

$$Q_2 = 13,200 \text{ SCFH} / 354 \text{ Nm}^3/\text{h}$$

Step 3.

$$Q \text{ supplemental relief} = Q_1 - Q_2$$

$$Q \text{ supplemental relief} = 20,300 - 13,200 = 7,100 \text{ SCFH} / 544 - 354 = 190 \text{ Nm}^3/\text{h}$$

Overpressurizing any portion of a regulator or associated equipment may cause personal injury, leakage, or property damage due to bursting of pressure-containing parts or explosion of accumulated gas.

If needed, provide appropriate pressure-relieving or pressure-limiting devices to ensure that none of the specifications are exceeded. Regulator operation within ratings does not prevent the possibility of damage from external sources such as debris in the pipeline.

Refer to the relief sizing coefficients in Table 15 and the Capacity Information section to determine the required external relief valve capacity.

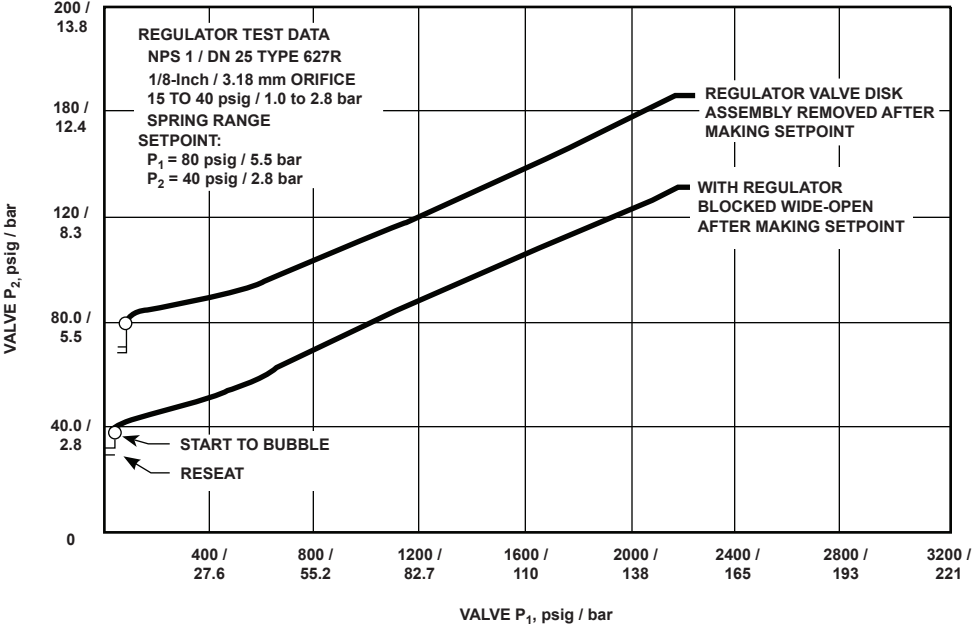


Figure 9. Relief Testing Methods, Outlet vs. Inlet Pressures

Capacity Information

Natural gas regulating capacities at selected inlet pressures and outlet pressure settings are given in Tables 6 to 9 for the Type 627 or 627M, in Tables 10 to 12 for the Type 627H, and in Tables 13 to 14 for the Type 627R regulators. Flows are in SCFH (60°F and 14.7 psia) and Nm³/h (0°C and 1.01325 bar) of 0.6 specific gravity natural gas.

To determine the equivalent capacities for other gases, multiply the table capacity by the following appropriate conversion factor: 0.775 for air, 0.789 for nitrogen, 0.628 for propane, or 0.548 for butane. For gases of other specific gravities, multiply the given capacity by 0.775, and divide by the square root of the appropriate specific gravity.

Then, if capacity is desired in Nm³/h at 0°C and 1.01325 bar, multiply the values in SCFH by 0.0268.

To determine wide-open flow capacities for relief sizing use the following formula:

$$Q = \sqrt{\frac{520}{GT}} C_g P_1 \text{SIN} \left(\frac{3417}{C_1} \sqrt{\frac{\Delta P}{P_1}} \right) \text{DEG}$$

where,

- Q = gas flow rate, SCFH
- G = specific gravity of the gas
- T = absolute temperature of gas at inlet, °Rankine
- C_g = gas sizing coefficient
- P₁ = absolute inlet pressure, psia
- C₁ = flow coefficient (C_g ÷ C_v)
- ΔP = pressure drop across the regulator, psi

To obtain the published capacities, the inlet and outlet piping should be the same as the regulator size.

Bulletin 71.1:627

Table 3. Maximum Spring and Diaphragm Casing Pressure⁽¹⁾

MAXIMUM PRESSURE DESCRIPTION	DIAPHRAGM CASING MATERIAL	TYPE 627		TYPES 627R AND 627LR		TYPE 627M		TYPE 627MR		TYPES 627H AND 627HM	
		psig	bar	psig	bar	psig	bar	psig	bar	psig	bar
Maximum pressure to spring and diaphragm casings to prevent leak to atmosphere other than relief action (internal parts damage may occur)	Die cast aluminum	250	17.2	250	17.2	Not Available		Not Available		Not Available	
	Ductile iron					250	17.2	Not Available		Not Available	
	Steel or Stainless steel							250	17.2	250	17.2
Maximum pressure to spring and diaphragm casings to prevent burst of casings during abnormal operation (leak to atmosphere and internal parts damage may occur)	Die cast aluminum	375	25.9	375	25.9	Not Available		Not Available		Not Available	
	Ductile iron	465	32.1	465	32.1	465	32.1	465	32.1	Not Available	
	Steel or Stainless steel	1500	103	1500	103	1500	103	1500	103	1500	103
Maximum diaphragm casing overpressure (above setpoint) to prevent damage to internal parts	All materials	60	4.1	120	8.3	60	4.1	120	8.3	120	8.3

1. If the spring case is pressurized, a metal adjusting screw cap is required. Contact your local Sales Office for details.

Table 4. Type 627R Internal Relief Performance⁽¹⁾

OUTLET PRESSURE RANGE, SPRING PART NUMBER, AND COLOR CODE	OUTLET PRESSURE SETTING		MAXIMUM ALLOWABLE DOWNSTREAM SYSTEM PRESSURE		MAXIMUM INLET PRESSURE TO KEEP MAXIMUM ALLOWABLE DOWNSTREAM SYSTEM PRESSURE FROM BEING EXCEEDED ⁽²⁾											
					Orifice Size, Inches / mm											
					3/32 / 2.4		1/8 / 3.2		3/16 / 4.8		1/4 / 6.4		3/8 / 9.5		1/2 / 13	
					psig	bar	psig	bar	psig	bar	psig	bar	psig	bar	psig	bar
5 ⁽³⁾ to 20 psig / 0.34 to 1.4 bar 10B3076X012 Yellow	10	0.69	60	4.1	1250	86.2	740	51.0	320	22.1	190	13.1	95	6.6	75	5.2
			100	6.9	2000	138	1500	103	620	42.7	390	26.9	180	12.4	130	9.0
			125	8.6	2000	138	1900	131	830	57.2	480	33.1	220	15.2	160	11.0
			175	12.1	2000	138	2000	138	1100	75.8	670	46.2	320	22.1	220	15.2
			200	13.8	2000	138	2000	138	1300	89.6	770	53.1	360	24.8	260	17.9
	250	17.2	2000	138	2000	138	1600	110	960	66.2	450	31.0	320	22.1		
	15	1.0	60	4.1	1000	69.0	620	42.7	260	17.9	170	11.7	90	6.2	70	4.8
			100	6.9	2000	138	1400	96.5	610	42.1	370	25.5	170	11.7	130	9.0
			125	8.6	2000	138	1900	131	810	55.8	480	33.1	220	15.2	160	11.0
			175	12.1	2000	138	2000	138	1100	75.8	670	46.2	320	22.1	220	15.2
			200	13.8	2000	138	2000	138	1300	89.6	770	53.1	360	24.8	260	17.9
	250	17.2	2000	138	2000	138	1600	110	960	66.2	450	31.0	320	22.1		
	20	1.4	60	4.1	850	58.6	490	33.8	210	14.5	130	9.0	80	5.5	65	4.5
			100	6.9	2000	138	1300	89.6	600	41.4	360	24.8	170	11.7	120	8.3
			125	8.6	2000	138	1800	124	800	55.2	480	33.1	220	15.2	160	11.0
175			12.1	2000	138	2000	138	1100	75.8	670	46.2	320	22.1	220	15.2	
200			13.8	2000	138	2000	138	1300	89.6	770	53.1	360	24.8	260	17.9	
250	17.2	2000	138	2000	138	1600	110	960	66.2	450	31.0	320	22.1			
15 to 40 psig / 1.0 to 2.8 bar 10B3077X012 Green	15	1.0	60	4.1	1000	69.0	380	26.2	210	14.5	130	9.0	80	5.5	65	4.5
			100	6.9	2000	138	1300	89.6	590	40.7	350	24.1	170	11.7	120	8.3
			125	8.6	2000	138	1800	124	800	55.2	470	32.4	220	15.2	160	11.0
			175	12.1	2000	138	2000	138	1100	75.8	640	44.1	320	22.1	220	15.2
			200	13.8	2000	138	2000	138	1300	89.6	780	53.8	370	25.5	260	17.9
	250	17.2	2000	138	2000	138	1600	110	960	66.2	450	31.0	320	22.1		
	20	1.4	60	4.1	630	43.4	200	13.8	150	10.3	100	6.9	70	4.8	65	4.5
			100	6.9	2000	138	1200	82.7	550	37.9	330	22.8	160	11.0	120	8.3
			125	8.6	2000	138	1700	117	760	52.4	450	31.1	210	14.5	160	11.0
			175	12.1	2000	138	2000	138	1100	75.8	630	43.4	320	22.1	220	15.2
			200	13.8	2000	138	2000	138	1300	89.6	770	53.1	360	24.8	260	17.9
	250	17.2	2000	138	2000	138	1600	110	960	66.2	460	31.7	320	22.1		
	30	2.1	100	6.9	2000	138	950	65.5	450	31.1	260	17.9	140	9.7	110	7.6
			125	8.6	2000	138	1500	103	670	46.2	400	27.6	190	13.1	150	10.3
			175	12.1	2000	138	2000	138	1000	69.0	610	42.1	300	20.7	220	15.2
200			13.8	2000	138	2000	138	1200	82.7	760	52.4	360	24.8	260	17.9	
250			17.2	2000	138	2000	138	1600	110	970	66.9	460	31.7	320	22.1	
40	2.8	100	6.9	1500	103	700	48.3	330	22.8	200	13.8	120	8.3	108	7.4	
		125	8.6	2000	138	1300	89.6	560	38.6	340	23.4	180	12.4	140	9.7	
		175	12.1	2000	138	1800	124	1000	69.0	550	37.9	290	20.0	220	15.2	
		200	13.8	2000	138	2000	138	1200	82.7	730	50.3	350	24.1	250	17.2	
		250	17.2	2000	138	2000	138	1600	110	970	66.9	460	31.7	320	22.1	

1. The internal relief performance values are obtained by removing the disk assembly.
 2. For inlet pressures in excess of 1000 psig / 69.0 bar, refer to the maximum body and disk pressure ratings in the Specifications section.
 3. For pressure settings under 10 psig / 0.69 bar, inlet pressure should be limited to approximately 100 psig / 6.9 bar so the setpoint adjustment can be obtained.
 [Shaded] - Shaded areas indicate maximum inlet pressures allowed during system malfunction only. Table 1 gives the maximum inlet pressure for normal regulator operation.

- continued -

Table 4. Type 627R Internal Relief Performance⁽¹⁾⁽³⁾ (continued)

OUTLET PRESSURE RANGE, SPRING PART NUMBER, AND COLOR CODE	OUTLET PRESSURE SETTING		MAXIMUM ALLOWABLE DOWNSTREAM SYSTEM PRESSURE		MAXIMUM INLET PRESSURE TO KEEP MAXIMUM ALLOWABLE DOWNSTREAM SYSTEM PRESSURE FROM BEING EXCEEDED ⁽²⁾⁽³⁾											
					Orifice Size, Inches / mm											
					3/32 / 2.4		1/8 / 3.2		3/16 / 4.8		1/4 / 6.4		3/8 / 9.5		1/2 / 13	
psig	bar	psig	bar	psig	bar	psig	bar	psig	bar	psig	bar	psig	bar	psig	bar	
35 to 80 psig / 2.4 to 5.5 bar 10B3078X012 Blue	40	2.8	125	8.6	2000	138	1100	75.8	500	34.5	300	20.7	170	11.7	140	9.7
			150	10.3	2000	138	1600	110	750	51.7	440	30.3	230	15.9	180	12.4
			175	12.1	2000	138	2000	138	980	67.6	580	40.0	290	20.0	220	15.2
			200	13.8	2000	138	2000	138	1200	82.7	720	49.6	340	23.4	250	17.2
			250	17.2	2000	138	2000	138	1600	110	940	64.8	450	31.0	320	22.1
	50	3.4	125	8.6	1400	96.5	820	56.5	400	27.6	230	15.9	150	10.3	140	9.7
			150	10.3	2000	138	1400	96.5	650	44.8	370	25.5	210	14.5	170	11.7
			175	12.1	2000	138	1900	131	700	48.3	530	36.5	270	18.6	210	14.5
			200	13.8	2000	138	2000	138	1100	75.8	670	46.2	330	22.8	240	16.5
			250	17.2	2000	138	2000	138	1500	103	920	63.4	430	29.6	320	22.1
	60	4.1	125	8.6	900	62.1	450	31.0	270	18.6	190	13.1	140	9.7	130	9.0
			150	10.3	1700	117	1100	75.8	540	37.2	300	20.7	190	13.1	160	11.0
			175	12.1	2000	138	1700	117	780	53.8	470	32.4	250	17.2	200	13.8
			200	13.8	2000	138	2000	138	1000	69.0	610	42.1	310	21.4	230	15.9
			250	17.2	2000	138	2000	138	1400	96.5	880	60.7	420	29.0	310	21.4
	70	4.8	150	10.3	1200	82.7	850	58.6	430	29.6	250	17.2	170	11.7	160	11.0
			175	12.1	2000	138	1400	96.5	670	46.2	400	27.6	230	15.9	190	13.1
			200	13.8	2000	138	2000	138	920	63.4	550	37.9	280	19.3	230	15.9
			250	17.2	2000	138	2000	138	1300	89.6	830	57.2	400	27.6	310	21.4
			150	10.3	800	55.2	500	34.5	300	20.7	200	13.8	160	11.0	150	10.3
80	5.5	175	12.1	1500	103	1200	82.7	550	37.9	330	22.8	210	14.5	190	13.1	
		200	13.8	2000	138	1700	117	800	55.2	480	33.1	270	18.6	220	15.2	
		250	17.2	2000	138	2000	138	1200	82.7	770	53.1	390	26.9	300	20.7	
		175	12.1	1900	131	600	41.4	400	27.6	260	17.9	200	13.8	175	12.1	
		200	13.8	2000	138	1200	82.7	630	43.4	380	26.2	250	17.2	210	14.5	
70 to 150 psig / 4.8 to 10.3 bar 10B3079X012 Red	70	4.8	250	17.2	2000	138	2000	138	1100	75.8	680	46.9	360	24.8	290	20.0
			175	12.1	1400	96.5	250	17.2	240	16.5	200	13.8	190	13.1	175	12.1
			200	13.8	2000	138	960	66.2	520	35.9	330	22.8	240	16.5	210	14.5
	80	5.5	250	17.2	2000	138	2000	138	1000	69.0	620	42.7	350	24.1	280	19.3
			200	13.8	1500	103	250	17.2	240	16.5	230	15.9	210	14.5	210	14.5
100	6.9	250	17.2	2000	138	1600	110	770	53.1	520	35.9	320	22.1	270	18.6	
		250	17.2	2000	138	1000	69.0	500	34.5	390	26.9	290	20.0	260	17.9	
150	10.3	250	17.2	1200	82.7	260	17.9	260	17.9	260	17.9	260	17.9	260	17.9	

1. The internal relief performance values are obtained by removing the disk assembly.
 2. For inlet pressures in excess of 1000 psig / 69.0 bar, refer to the maximum body and disk pressure ratings in the Specifications section.
 3. For pressure settings under 10 psig / 0.69 bar, inlet pressure should be limited to approximately 100 psig / 6.9 bar so the setpoint adjustment can be obtained.
 Shaded areas indicate maximum inlet pressures allowed during system malfunction only. Table 1 gives the maximum inlet pressure for normal regulator operation.

Table 5. Type 627LR Internal Relief Performance⁽¹⁾

OUTLET PRESSURE RANGE, SPRING PART NUMBER, AND COLOR CODE	OUTLET PRESSURE SETTING		MAXIMUM ALLOWABLE DOWNSTREAM SYSTEM PRESSURE		MAXIMUM INLET PRESSURE TO KEEP MAXIMUM ALLOWABLE DOWNSTREAM SYSTEM PRESSURE FROM BEING EXCEEDED ⁽²⁾							
					Orifice Size, Inches / mm							
					3/32 / 2.4		1/8 / 3.2		3/16 / 4.8		1/4 / 6.4	
psig	bar	psig	bar	psig	bar	psig	bar	psig	bar	psig	bar	
15 to 40 psig / 1.03 to 2.8 bar 10B3077X012 Green	30	2.1	55	3.8	500	34.5	270	18.6	110	7.6	80	5.5
			60	4.1	850	58.6	480	33.1	200	13.8	120	8.3
			66	4.5	1000	69.0	660	45.5	290	20.0	175	12.1
	40	2.8	66	4.5	380	26.2	190	13.1	85	5.9	80	5.5
			70	4.8	700	48.3	370	25.5	150	10.3	115	7.9
75	5.2	1000	69.0	560	38.6	240	16.5	160	11.0			

1. The internal relief performance values are obtained by removing the disk assembly.
 2. For inlet pressures in excess of 1000 psig / 69.0 bar, refer to the maximum body and disk pressure ratings in the Specifications section.

Bulletin 71.1:627

Table 6. Types 627, 627M, and 627MR Capacities for 3/4 NPT Body Size⁽¹⁾

OUTLET PRESSURE RANGE, SPRING PART NUMBER, AND COLOR CODE	OUTLET PRESSURE SETTING, psig / bar	INLET PRESSURE, psig / bar	CAPACITIES IN SCFH / Nm ³ /h OF 0.6 SPECIFIC GRAVITY NATURAL GAS					
			Orifice Size, Inches / mm					
			3/32 / 2.4	1/8 / 3.2	3/16 / 4.8	1/4 / 6.4	3/8 / 9.5	1/2 / 13
5 to 20 psig ⁽²⁾ / 0.34 to 1.4 bar 10B3076X012 Yellow	5 / 0.34 ⁽³⁾	10 / 0.69	170 / 4.56	320 / 8.58	700 / 18.8	1060 / 28.4	1540 / 41.3	1900 / 50.9
		15 / 1.0	240 / 6.43	330 / 8.84	810 / 21.7	1300 / 34.8	2150 / 57.6	3350 / 89.8
		20 / 1.4	290 / 7.77	460 / 12.3	1140 / 30.6	1800 / 48.2	3050 / 81.7	4350 / 117
		30 / 2.1	380 / 10.2	610 / 16.3	1530 / 41.0	2490 / 66.7	3880 / 104	6850 / 184
		60 / 4.1	640 / 17.2	1170 / 31.4	2550 / 68.3	4240 / 114	6270 / 168	7370 / 198
		75 / 5.2	770 / 20.6	1410 / 37.8	3020 / 80.9	5100 / 137	6620 / 177	7700 / 206
	10 / 0.69	100 / 6.9	990 / 26.5	1800 / 48.2	3800 / 102	5980 / 160	7440 / 199	7900 / 212
		15 / 1.0	210 / 5.63	320 / 8.6	800 / 21.4	1290 / 34.6	2100 / 56.3	3300 / 88.4
		20 / 1.4	280 / 7.50	455 / 12.2	1130 / 30.3	1790 / 48.0	3000 / 80.4	4300 / 115
		30 / 2.1	380 / 10.2	610 / 16.3	1530 / 41.0	2480 / 66.5	3860 / 103	6830 / 183
		60 / 4.1	640 / 17.2	1170 / 31.4	2550 / 68.3	4240 / 114	6270 / 168	7370 / 198
		75 / 5.2	770 / 20.6	1410 / 37.8	3020 / 80.9	5100 / 137	6620 / 177	7700 / 206
		100 / 6.9	990 / 26.5	1800 / 48.2	3800 / 102	5980 / 160	7440 / 199	7900 / 212
		150 / 10.3	1420 / 38.1	2580 / 69.1	5700 / 153	7130 / 191	8180 / 219	8200 / 220
		200 / 13.8	1850 / 49.6	3370 / 90.3	6970 / 187	7250 / 194	8200 / 220	8300 / 222
		300 / 20.7	2700 / 72.4	4910 / 132	8000 / 214	8050 / 216	8250 / 221	
		500 / 34.5	4010 / 107	8090 / 217	8060 / 216	8100 / 217		
		750 / 51.7	4400 / 118	8930 / 239	8950 / 240			
		1000 / 69.0	4450 / 119	10,300 / 276				
		1250 / 86.2	4540 / 122					
	1500 / 103	4880 / 131						
	1750 / 121	5230 / 140						
	2000 / 138	5900 / 158						
	20 / 1.4	30 / 2.1	350 / 9.38	620 / 16.6	1400 / 37.5	2490 / 66.7	4360 / 117	6290 / 169
		50 / 3.4	550 / 14.7	1000 / 26.8	2280 / 61.1	4010 / 107	7870 / 211	8500 / 228
		60 / 4.1	640 / 17.2	1170 / 31.4	2640 / 70.8	4680 / 125	8340 / 224	8940 / 240
		100 / 6.9	990 / 26.5	1800 / 48.2	3980 / 107	7220 / 193	11,500 / 308	12,600 / 338
		150 / 10.3	1420 / 38.1	2580 / 69.1	5850 / 157	10,400 / 279	12,100 / 324	13,100 / 351
		200 / 13.8	1850 / 49.6	3370 / 90.3	7340 / 197	12,000 / 322	13,200 / 354	13,700 / 367
		300 / 20.7	2700 / 72.4	4910 / 132	11,200 / 300	13,000 / 348	15,600 / 418	
		500 / 34.5	4400 / 118	8090 / 217	18,300 / 490	15,100 / 405		
		750 / 51.7	6600 / 177	12,000 / 322	14,200 / 381			
		1000 / 69.0	7300 / 196	14,600 / 391				
		1250 / 86.2	7500 / 201					
		1500 / 103	7800 / 209					
		1750 / 121	8400 / 225					
2000 / 138		8600 / 230						
15 to 40 psig / 1.0 to 2.8 bar 10B3077X012 Green	40 / 2.8	60 / 4.1	610 / 16.3	1090 / 29.2	2530 / 67.8	4350 / 117	8140 / 218	9420 / 252
		75 / 5.2	760 / 20.4	1370 / 36.7	3080 / 82.5	5510 / 148	10,300 / 276	13,600 / 364
		100 / 6.9	990 / 26.5	1790 / 48.0	4070 / 109	7220 / 193	13,200 / 354	15,300 / 410
		150 / 10.3	1420 / 38.1	2580 / 69.1	5850 / 157	10,400 / 279	17,400 / 466	18,200 / 488
		200 / 13.8	1850 / 49.6	3370 / 90.3	7630 / 204	13,500 / 362	18,000 / 482	18,500 / 496
		300 / 20.7	2700 / 72.4	4910 / 132	11,200 / 300	18,500 / 496	20,000 / 536	20,700 / 555
		500 / 34.5	4400 / 118	8090 / 217	18,300 / 490	24,000 / 643	27,000 / 724	
		750 / 51.7	6600 / 177	12,000 / 322	23,000 / 616	24,200 / 649		
		1000 / 69.0	8700 / 233	16,000 / 429	24,400 / 654			
		1250 / 86.2	11,000 / 295	18,000 / 482				
		1500 / 103	12,000 / 322	21,000 / 563				
		1750 / 121	13,000 / 348					
		2000 / 138	14,000 / 375					

1. Capacity is based on 20% droop unless otherwise noted below.
2. For pressure settings under 10 psig / 0.69 bar, inlet pressure should be limited to approximately 100 psig / 6.9 bar so the setpoint adjustment can be obtained.
3. For 5 psig / 0.34 bar pressure setpoint the droop is 2 psig / 0.14 bar.
 - Blank areas indicate where maximum operating inlet pressure for a given orifice is exceeded.
 - Shaded areas indicate where a Type 627MR regulator should not be used because unbalanced forces can cause the internal relief valve to start-to-discharge during normal operation. Refer to Table 4.

- continued -

Table 6. Types 627, 627M, and 627MR Capacities for 3/4 NPT Body Size⁽¹⁾ (continued)

OUTLET PRESSURE RANGE, SPRING PART NUMBER, AND COLOR CODE	OUTLET PRESSURE SETTING, psig / bar	INLET PRESSURE, psig / bar	CAPACITIES IN SCFH / Nm ³ /h OF 0.6 SPECIFIC GRAVITY NATURAL GAS					
			Orifice Size, Inches / mm					
			3/32 / 2.4	1/8 / 3.2	3/16 / 4.8	1/4 / 6.4	3/8 / 9.5	1/2 / 13
35 to 80 psig / 2.4 to 5.5 bar 10B3078X012 Blue	60 / 4.1	75 / 5.2	700 / 18.8	1230 / 33.0	2760 / 74.0	4750 / 127	8620 / 231	15,200 / 407
		100 / 6.9	970 / 26.0	1740 / 46.6	4010 / 107	6990 / 187	12,800 / 343	17,300 / 464
		150 / 10.3	1420 / 38.1	2580 / 69.1	5850 / 157	10,300 / 276	18,600 / 498	23,000 / 616
		200 / 13.8	1850 / 49.6	3370 / 90.3	7630 / 204	13,500 / 362	21,600 / 579	27,400 / 734
		300 / 20.7	2700 / 72.4	4910 / 132	11,200 / 300	19,800 / 531	26,100 / 699	30,100 / 807
		500 / 34.5	4400 / 118	8090 / 217	18,300 / 490	28,100 / 753	28,900 / 775	33,400 / 895
		750 / 51.7	6600 / 177	12,000 / 322	26,300 / 705	30,000 / 804	37,000 / 992	45,000 / 1206
		1000 / 69.0	8700 / 233	16,000 / 429	30,000 / 804	31,200 / 836	37,400 / 1002	
		1250 / 86.2	11,000 / 295	19,000 / 509	31,600 / 847	34,000 / 911		
		1500 / 103	13,000 / 348	22,000 / 590	30,400 / 815	36,000 / 965		
	1750 / 121	15,000 / 402	25,000 / 670	34,000 / 911				
	2000 / 138	17,000 / 456	28,000 / 750					
	80 / 5.5	100 / 6.9	900 / 24.1	1600 / 42.9	3750 / 101	6490 / 174	12,200 / 327	17,300 / 464
		150 / 10.3	1410 / 37.8	2580 / 69.1	5850 / 157	10,200 / 273	19,600 / 525	25,700 / 689
		200 / 13.8	1850 / 49.6	3370 / 90.3	7630 / 204	13,500 / 362	25,400 / 681	29,300 / 785
		300 / 20.7	2700 / 72.4	4910 / 132	11,200 / 300	19,800 / 531	32,700 / 876	33,500 / 898
		500 / 34.5	4400 / 118	8090 / 217	18,300 / 490	31,900 / 855	36,000 / 965	36,700 / 984
		750 / 51.7	6600 / 177	12,000 / 322	27,200 / 729	35,000 / 938	44,000 / 1179	46,000 / 1233
		1000 / 69.0	8700 / 233	16,000 / 429	36,100 / 967	38,000 / 1018	56,200 / 1506	
		1250 / 86.2	11,000 / 295	19,000 / 509	37,000 / 992	40,000 / 1072		
1500 / 103		13,000 / 348	22,000 / 590	38,000 / 1018	44,000 / 1179			
1750 / 121		15,000 / 402	25,000 / 670	42,000 / 1126				
2000 / 138	17,000 / 456	28,000 / 750						
70 to 150 psig / 4.8 to 10.3 bar 10B3079X012 Red	100 / 6.9	150 / 10.3	1170 / 31.4	2510 / 67.3	5540 / 148	8710 / 233	16,000 / 429	20,300 / 544
		200 / 13.8	1850 / 49.6	3370 / 90.3	7630 / 204	12,000 / 322	21,300 / 571	25,700 / 689
		300 / 20.7	2700 / 72.4	4910 / 132	11,200 / 300	19,400 / 520	30,000 / 804	31,700 / 850
		500 / 34.5	4400 / 118	8090 / 217	18,300 / 490	31,800 / 852	39,000 / 1045	39,200 / 1051
		750 / 51.7	6600 / 177	12,000 / 322	27,200 / 729	39,000 / 1045	39,200 / 1051	45,900 / 1230
		1000 / 69.0	8700 / 233	16,000 / 429	36,100 / 967	40,000 / 1072	40,500 / 1085	
		1250 / 86.2	11,000 / 295	19,000 / 509	39,000 / 1045	40,500 / 1085	41,000 / 1099	
		1500 / 103	13,000 / 348	22,000 / 590	43,000 / 1152	44,000 / 1179		
		1750 / 121	15,000 / 402	25,000 / 670	45,000 / 1206	47,000 / 1260		
		2000 / 138	17,000 / 456	28,000 / 750	46,000 / 1233			
	125 / 8.6	150 / 10.3	1250 / 33.5	2340 / 62.7	5340 / 143	9130 / 245	15,700 / 421	20,800 / 557
		200 / 13.8	1830 / 49.0	3320 / 89.0	7550 / 202	13,160 / 353	22,500 / 603	28,600 / 766
		300 / 20.7	2700 / 72.4	4910 / 132	11,200 / 300	19,800 / 531	32,700 / 876	38,000 / 1018
		500 / 34.5	4400 / 118	8090 / 217	18,300 / 490	32,500 / 871	43,800 / 1174	51,700 / 1386
		750 / 51.7	6600 / 177	12,000 / 322	27,200 / 729	48,300 / 1294	49,900 / 1337	71,400 / 1914
		1000 / 69.0	8700 / 233	16,000 / 429	36,100 / 967	50,000 / 1340	52,900 / 1418	72,000 / 1930
		1250 / 86.2	11,000 / 295	19,000 / 509	45,000 / 1206	53,000 / 1420	58,000 / 1554	
		1500 / 103	13,000 / 348	22,000 / 590	51,000 / 1367	56,000 / 1501		
		1750 / 121	15,000 / 402	25,000 / 670	52,000 / 1394	60,000 / 1608		
		2000 / 138	17,000 / 456	28,000 / 750	53,000 / 1420			
150 / 10.3	200 / 13.8	1760 / 47.2	3200 / 85.8	7290 / 195	12,500 / 335	21,400 / 574	30,600 / 820	
	300 / 20.7	2700 / 72.4	4910 / 132	11,200 / 300	17,200 / 461	34,700 / 930	46,000 / 1233	
	500 / 34.5	4400 / 118	8090 / 217	18,300 / 490	32,500 / 871	48,900 / 1311	59,700 / 1600	
	750 / 51.7	6600 / 177	12,000 / 322	27,200 / 729	48,300 / 1294	59,000 / 1581	72,000 / 1930	
	1000 / 69.0	8700 / 233	16,000 / 429	36,100 / 967	64,100 / 1718	81,100 / 2173	85,000 / 2278	
	1250 / 86.2	11,000 / 295	19,000 / 509	45,000 / 1206	68,000 / 1822	90,000 / 2412		
	1500 / 103	13,000 / 348	22,000 / 590	54,000 / 1447	72,000 / 1930			
	1750 / 121	15,000 / 402	25,000 / 670	63,000 / 1688	77,000 / 2064			
	2000 / 138	17,000 / 456	28,000 / 750	71,000 / 1903				

1. Capacity is based on 20% droop unless otherwise noted below.

Blank areas indicate where maximum operating inlet pressure for a given orifice is exceeded.

Shaded areas indicate where a Type 627MR regulator should not be used because unbalanced forces can cause the internal relief valve to start-to-discharge during normal operation. Refer to Table 4.

Bulletin 71.1:627

Table 7. Types 627, 627M, and 627MR Capacities for NPS 1 / DN 25 Body Size⁽¹⁾

OUTLET PRESSURE RANGE, SPRING PART NUMBER, AND COLOR CODE	OUTLET PRESSURE SETTING, psig / bar	INLET PRESSURE, psig / bar	CAPACITIES IN SCFH / Nm ³ /h OF 0.6 SPECIFIC GRAVITY NATURAL GAS					
			Orifice Size, Inches / mm					
			3/32 / 2.4	1/8 / 3.2	3/16 / 4.8	1/4 / 6.4	3/8 / 9.5	1/2 / 13
5 to 20 psig ⁽²⁾ / 0.34 to 1.4 bar 10B3076X012 Yellow	5 / 0.34 ⁽³⁾	10 / 0.69	170 / 4.6	330 / 8.8	710 / 19.0	1100 / 29.5	1900 / 50.9	2500 / 67.0
		15 / 1.0	240 / 6.4	390 / 10.5	890 / 23.9	1600 / 42.9	2500 / 67.0	3350 / 89.8
		20 / 1.4	290 / 7.8	500 / 13.4	1160 / 31.1	2060 / 55.2	3400 / 91.1	4450 / 119
		30 / 2.1	380 / 10.2	670 / 18.0	1560 / 41.8	2800 / 75.0	4750 / 127	6900 / 185
		60 / 4.1	640 / 17.2	1170 / 31.4	2600 / 69.7	4710 / 126	8140 / 218	13,700 / 367
		75 / 5.2	770 / 20.6	1410 / 37.8	3150 / 84.4	5710 / 153	9790 / 262	14,500 / 389
	10 / 0.7	15 / 1.0	210 / 5.6	375 / 10.1	880 / 23.6	1590 / 42.6	2480 / 66.5	3300 / 88.4
		20 / 1.4	280 / 7.5	490 / 13.1	1150 / 30.8	2050 / 54.9	3380 / 90.6	4410 / 118
		30 / 2.1	380 / 10.2	670 / 18.0	1560 / 41.8	2800 / 75.0	4720 / 126	6840 / 183
		60 / 4.1	640 / 17.2	1170 / 31.4	2600 / 69.7	4710 / 126	8140 / 218	13,700 / 367
		75 / 5.2	770 / 20.6	1410 / 37.8	3150 / 84.4	5710 / 153	9790 / 262	14,500 / 389
		100 / 6.9	990 / 26.5	1800 / 48.2	4070 / 109	7310 / 196	12,500 / 335	16,000 / 429
		150 / 10.3	1420 / 38.1	2580 / 69.1	5850 / 157	10,500 / 281	17,000 / 456	18,000 / 482
		200 / 13.8	1850 / 49.6	3370 / 90.3	7630 / 204	13,700 / 367	18,000 / 482	18,500 / 496
		300 / 20.7	2700 / 72.4	4910 / 132	11,200 / 300	19,800 / 531	20,000 / 536	
		500 / 34.5	4400 / 118	8090 / 217	15,700 / 421	20,000 / 536		
		750 / 51.7	5400 / 145	12,000 / 322	18,000 / 482			
		1000 / 69.0	5800 / 155	14,000 / 375				
		1250 / 86.2	6300 / 169					
		1500 / 103	6600 / 177					
	1750 / 121	6800 / 182						
	2000 / 138	7600 / 204						
	20 / 1.4	30 / 2.1	350 / 9.4	620 / 16.6	1450 / 38.9	2580 / 69.1	4360 / 117	6290 / 169
		50 / 3.4	550 / 14.7	1000 / 26.8	2280 / 61.1	4090 / 110	7870 / 211	14,100 / 378
		60 / 4.1	640 / 17.2	1170 / 31.4	2640 / 70.8	4750 / 127	9690 / 260	14,500 / 389
		100 / 6.9	990 / 26.5	1800 / 48.2	4070 / 109	7310 / 196	13,900 / 373	23,300 / 624
		150 / 10.3	1420 / 38.1	2580 / 69.1	5850 / 157	10,500 / 281	17,700 / 474	34,200 / 917
		200 / 13.8	1850 / 49.6	3370 / 90.3	7630 / 204	13,700 / 367	26,600 / 713	39,100 / 1048
		300 / 20.7	2700 / 72.4	4910 / 132	11,200 / 300	20,100 / 539	37,000 / 992	
		500 / 34.5	4400 / 118	8090 / 217	18,300 / 490	32,900 / 882		
		750 / 51.7	6600 / 177	12,000 / 322	23,600 / 632			
		1000 / 69.0	8900 / 239	16,000 / 429				
		1250 / 86.2	10,000 / 268					
		1500 / 103	10,400 / 279					
		1750 / 121	12,000 / 322					
		2000 / 138	14,000 / 375					
15 to 40 psig / 1.0 to 2.8 bar 10B3077X012 Green	40 / 2.8	60 / 4.1	610 / 16.3	1090 / 29.2	2530 / 67.8	4510 / 121	9290 / 249	9420 / 252
		75 / 5.2	760 / 20.4	1370 / 36.7	3080 / 82.5	5640 / 151	10,800 / 289	16,500 / 442
		100 / 6.9	990 / 26.5	1790 / 48.0	4070 / 109	7310 / 196	14,700 / 394	21,900 / 587
		150 / 10.3	1420 / 38.1	2580 / 69.1	5850 / 157	10,500 / 281	20,500 / 549	34,500 / 925
		200 / 13.8	1850 / 49.6	3370 / 90.3	7630 / 204	13,700 / 367	27,100 / 726	46,400 / 1244
		300 / 20.7	2700 / 72.4	4910 / 132	11,200 / 300	20,100 / 539	40,100 / 1075	67,100 / 1798
		500 / 34.5	4400 / 118	8090 / 217	18,300 / 490	32,900 / 882	63,900 / 1713	
		750 / 51.7	6600 / 177	12,000 / 322	27,200 / 729	39,400 / 1056		
		1000 / 69.0	8700 / 233	16,000 / 429	36,100 / 967			
		1250 / 86.2	11,000 / 295	19,000 / 509				
		1500 / 103	13,000 / 348	22,000 / 590				
		1750 / 121	15,000 / 402					
		2000 / 138	17,000 / 456					

1. Capacity is based on 20% droop unless otherwise noted below.
 2. For pressure settings under 10 psig / 0.69 bar, inlet pressure should be limited to approximately 100 psig / 6.9 bar so the setpoint adjustment can be obtained.
 3. For 5 psig / 0.34 bar pressure setpoint the droop is 2 psig / 0.14 bar.
 [Blank area] - Blank areas indicate where maximum operating inlet pressure for a given orifice is exceeded.
 [Shaded area] - Shaded areas indicate where a Type 627MR regulator should not be used because unbalanced forces can cause the internal relief valve to start-to-discharge during normal operation. Refer to Table 4.

- continued -

Table 7. Types 627, 627M, and 627MR Capacities for NPS 1 / DN 25 Body Size⁽¹⁾ (continued)

OUTLET PRESSURE RANGE, SPRING PART NUMBER, AND COLOR CODE	OUTLET PRESSURE SETTING, psig / bar	INLET PRESSURE, psig / bar	CAPACITIES IN SCFH / Nm ³ /h OF 0.6 SPECIFIC GRAVITY NATURAL GAS					
			Orifice Size, Inches / mm					
			3/32 / 2.4	1/8 / 3.2	3/16 / 4.8	1/4 / 6.4	3/8 / 9.5	1/2 / 13
35 to 80 psig / 2.4 to 5.5 bar 10B3078X012 Blue	60 / 4.1	75 / 5.2	700 / 18.8	1230 / 33.0	2760 / 74.0	4880 / 131	8630 / 231	16,100 / 431
		100 / 6.9	970 / 26.0	1740 / 46.6	4010 / 107	7000 / 188	13,000 / 348	19,300 / 517
		150 / 10.3	1420 / 38.1	2580 / 69.1	5850 / 157	10,500 / 281	18,900 / 507	32,800 / 879
		200 / 13.8	1850 / 49.6	3370 / 90.3	7630 / 204	13,700 / 367	24,000 / 643	42,200 / 1131
		300 / 20.7	2700 / 72.4	4910 / 132	11,200 / 300	20,100 / 539	32,500 / 871	69,100 / 1852
		500 / 34.5	4400 / 118	8090 / 217	18,300 / 490	32,900 / 882	64,000 / 1715	94,300 / 2527
		750 / 51.7	6600 / 177	12,000 / 322	27,200 / 729	43,380 / 1163	66,000 / 1769	130,000 / 3484
		1000 / 69.0	8700 / 233	16,000 / 429	36,100 / 967	50,300 / 1348	67,700 / 1814	
		1250 / 86.2	11,000 / 295	19,000 / 509	45,000 / 1206	57,000 / 1528		
		1500 / 103	13,000 / 348	22,000 / 590	54,000 / 1447	63,000 / 1688		
	1750 / 121	15,000 / 402	25,000 / 670	63,000 / 1688				
	2000 / 138	17,000 / 456	28,000 / 750					
	80 / 5.5	100 / 6.9	900 / 24.1	1600 / 42.9	3750 / 101	6650 / 178	12,200 / 327	18,600 / 498
		150 / 10.3	1410 / 37.8	2580 / 69.1	5850 / 157	10,500 / 281	21,100 / 565	33,600 / 900
		200 / 13.8	1850 / 49.6	3370 / 90.3	7630 / 204	13,700 / 367	28,400 / 761	44,100 / 1182
		300 / 20.7	2700 / 72.4	4910 / 132	11,200 / 300	20,100 / 539	43,300 / 1160	75,400 / 2021
		500 / 34.5	4400 / 118	8090 / 217	18,300 / 490	32,900 / 882	71,600 / 1919	110,000 / 2948
		750 / 51.7	6600 / 177	12,000 / 322	27,200 / 729	48,900 / 1311	105,500 / 2827	135,000 / 3618
		1000 / 69.0	8700 / 233	16,000 / 429	36,100 / 967	64,900 / 1739	118,000 / 3162	
		1250 / 86.2	11,000 / 295	19,000 / 509	45,000 / 1206	80,000 / 2144		
1500 / 103		13,000 / 348	22,000 / 590	54,000 / 1447	96,000 / 2573			
1750 / 121		15,000 / 402	25,000 / 670	63,000 / 1688				
2000 / 138	17,000 / 456	28,000 / 750						
70 to 150 psig / 4.8 to 10.3 bar 10B3079X012 Red	100 / 6.9	150 / 10.3	1170 / 31.4	2510 / 67.3	5540 / 148	8710 / 233	16,000 / 429	24,000 / 643
		200 / 13.8	1850 / 49.6	3370 / 90.3	7630 / 204	12,000 / 322	21,300 / 571	34,100 / 914
		300 / 20.7	2700 / 72.4	4910 / 132	11,200 / 300	19,400 / 520	30,100 / 807	53,200 / 1426
		500 / 34.5	4400 / 118	8090 / 217	18,300 / 490	31,800 / 852	66,500 / 1782	83,900 / 2249
		750 / 51.7	6600 / 177	12,000 / 322	27,200 / 729	47,300 / 1268	95,300 / 2554	117,000 / 3136
		1000 / 69.0	8700 / 233	16,000 / 429	36,100 / 967	59,700 / 1600	100,000 / 2680	
		1250 / 86.2	11,000 / 295	19,000 / 509	45,000 / 1206	72,000 / 1930	114,000 / 3055	
		1500 / 103	13,000 / 348	22,000 / 590	54,000 / 1447	86,000 / 2305		
		1750 / 121	15,000 / 402	25,000 / 670	63,000 / 1688	95,000 / 2546		
		2000 / 138	17,000 / 456	28,000 / 750	71,000 / 1903			
	125 / 8.6	150 / 10.3	1250 / 33.5	2340 / 62.7	5340 / 143	9470 / 254	15,700 / 421	20,800 / 557
		200 / 13.8	1830 / 49.0	3320 / 89.0	7550 / 202	13,400 / 359	28,100 / 753	32,800 / 879
		300 / 20.7	2700 / 72.4	4910 / 132	11,200 / 300	20,100 / 539	36,300 / 973	52,600 / 1410
		500 / 34.5	4400 / 118	8090 / 217	18,300 / 490	32,900 / 882	70,800 / 1897	109,000 / 2921
		750 / 51.7	6600 / 177	12,000 / 322	27,200 / 729	48,900 / 1311	104,000 / 2787	158,000 / 4234
		1000 / 69.0	8700 / 233	16,000 / 429	36,100 / 967	64,800 / 1737	138,000 / 3698	160,000 / 4288
		1250 / 86.2	11,000 / 295	19,000 / 509	45,000 / 1206	80,000 / 2144	145,000 / 3886	
		1500 / 103	13,000 / 348	22,000 / 590	54,000 / 1447	96,000 / 2573		
		1750 / 121	15,000 / 402	25,000 / 670	63,000 / 1688	112,000 / 3002		
		2000 / 138	17,000 / 456	28,000 / 750	71,000 / 1903			
150 / 10.3	200 / 13.8	1760 / 47.2	3200 / 85.8	7290 / 195	12,900 / 346	21,400 / 574	33,600 / 900	
	300 / 20.7	2700 / 72.4	4910 / 132	11,200 / 300	17,200 / 461	40,100 / 1075	55,900 / 1498	
	500 / 34.5	4400 / 118	8090 / 217	18,300 / 490	32,900 / 882	70,300 / 1884	111,000 / 2975	
	750 / 51.7	6600 / 177	12,000 / 322	27,200 / 729	48,900 / 1311	104,000 / 2787	160,000 / 4288	
	1000 / 69.0	8700 / 233	16,000 / 429	36,100 / 967	64,800 / 1737	138,000 / 3698	162,000 / 4342	
	1250 / 86.2	11,000 / 295	19,000 / 509	45,000 / 1206	80,000 / 2144	150,000 / 4020		
	1500 / 103	13,000 / 348	22,000 / 590	54,000 / 1447	96,000 / 2573			
	1750 / 121	15,000 / 402	25,000 / 670	63,000 / 1688	112,000 / 3002			
2000 / 138	17,000 / 456	28,000 / 750	71,000 / 1903					

1. Capacity is based on 20% droop unless otherwise noted below.
 [Blank box] - Blank areas indicate where maximum operating inlet pressure for a given orifice is exceeded.
 [Shaded box] - Shaded areas indicate where a Type 627MR regulator should not be used because unbalanced forces can cause the internal relief valve to start-to-discharge during normal operation. Refer to Table 4.

Bulletin 71.1:627

Table 8. Type 627 Capacities for NPS 2 / DN 50 Body Size⁽¹⁾

OUTLET PRESSURE RANGE, SPRING PART NUMBER, AND COLOR CODE	OUTLET PRESSURE SETTING, psig / bar	INLET PRESSURE, psig / bar	CAPACITIES IN SCFH / Nm ³ /h OF 0.6 SPECIFIC GRAVITY NATURAL GAS					
			Orifice Size, Inches / mm					
			3/32 / 2.4	1/8 / 3.2	3/16 / 4.8	1/4 / 6.4	3/8 / 9.5	1/2 / 13
5 to 20 psig ⁽²⁾ / 0.34 to 1.4 bar 10B3076X012 Yellow	5 / 0.34 ⁽³⁾	10 / 0.69	170 / 4.6	330 / 8.8	710 / 19.0	1080 / 28.9	1700 / 45.6	2400 / 64.3
		15 / 1.0	240 / 6.4	390 / 10.5	890 / 23.9	1250 / 33.5	1900 / 50.9	2700 / 72.4
		20 / 1.4	290 / 7.8	500 / 13.4	1160 / 31.1	1900 / 50.9	2650 / 71.0	3900 / 105
		30 / 2.1	380 / 10.2	670 / 18.0	1560 / 41.8	2800 / 75.0	3680 / 98.6	6500 / 174
		60 / 4.1	640 / 17.2	1170 / 31.4	2600 / 69.7	4750 / 127	7250 / 194	17,800 / 477
		75 / 5.2	770 / 20.6	1410 / 37.8	3150 / 84.4	5700 / 153	8060 / 216	22,400 / 600
	10 / 0.69	15 / 1.0	210 / 5.6	375 / 10.1	880 / 23.6	1220 / 32.7	1860 / 49.8	2670 / 71.6
		20 / 1.4	280 / 7.5	490 / 13.1	1150 / 30.8	1880 / 50.4	2610 / 69.9	3830 / 103
		30 / 2.1	380 / 10.2	670 / 18.0	1560 / 41.8	2760 / 74.0	3640 / 97.6	6460 / 173
		60 / 4.1	640 / 17.2	1170 / 31.4	2600 / 69.7	4750 / 127	7250 / 194	17,800 / 477
		75 / 5.2	770 / 20.6	1410 / 37.8	3150 / 84.4	5700 / 153	8060 / 216	22,400 / 600
		100 / 6.9	990 / 26.5	1790 / 48.0	4070 / 109	7310 / 196	16,200 / 434	28,700 / 769
		150 / 10.3	1420 / 38.1	2580 / 69.1	5850 / 157	10,500 / 281	23,300 / 624	25,900 / 694
		200 / 13.8	1850 / 49.6	3370 / 90.3	7630 / 204	13,700 / 367	22,700 / 608	24,000 / 643
		300 / 20.7	2700 / 72.4	4910 / 132	11,200 / 300	10,300 / 276	12,800 / 343	
		500 / 34.5	4400 / 118	8090 / 217	18,300 / 490	21,000 / 563		
		750 / 51.7	6600 / 177	12,000 / 322	27,200 / 729			
		1000 / 69.0	8700 / 233	16,000 / 429				
		1250 / 86.2	11,000 / 295					
		1500 / 103	13,000 / 348					
	1750 / 121	15,000 / 402						
	2000 / 138	6300 / 169						
	20 / 1.4	30 / 2.1	350 / 9.4	620 / 16.6	1450 / 38.9	2350 / 63.0	4300 / 115	6110 / 164
		50 / 3.4	550 / 14.7	1000 / 26.8	2280 / 61.1	4040 / 108	7100 / 190	12,800 / 343
		60 / 4.1	640 / 17.2	1170 / 31.4	2640 / 70.8	4750 / 127	8400 / 225	15,700 / 421
		100 / 6.9	990 / 26.5	1800 / 48.2	4070 / 109	7310 / 196	16,200 / 434	28,700 / 769
		150 / 10.3	1420 / 38.1	2580 / 69.1	5850 / 157	10,500 / 281	23,300 / 624	29,000 / 777
		200 / 13.8	1850 / 49.6	3370 / 90.3	7630 / 204	13,700 / 367	24,000 / 643	33,000 / 884
		300 / 20.7	2700 / 72.4	4910 / 132	11,200 / 300	20,100 / 539	19,600 / 525	
		500 / 34.5	4400 / 118	8090 / 217	18,300 / 490	32,900 / 882		
		750 / 51.7	6600 / 177	12,000 / 322	27,200 / 729			
		1000 / 69.0	8700 / 233	16,000 / 429				
		1250 / 86.2	11,000 / 295					
		1500 / 103	13,000 / 348					
		1750 / 121	15,000 / 402					
		2000 / 138	6300 / 169					
15 to 40 psig / 1.0 to 2.8 bar 10B3077X012 Green	40 / 2.8	60 / 4.1	610 / 16.3	1090 / 29.2	2530 / 67.8	4370 / 117	8680 / 233	13,300 / 356
		75 / 5.2	760 / 20.4	1370 / 36.7	3080 / 82.5	5540 / 148	11,900 / 319	19,300 / 517
		100 / 6.9	990 / 26.5	1800 / 48.2	4070 / 109	7310 / 196	16,200 / 434	25,400 / 681
		150 / 10.3	1420 / 38.1	2580 / 69.1	5850 / 157	10,500 / 281	23,300 / 624	41,300 / 1107
		200 / 13.8	1850 / 49.6	3370 / 90.3	7630 / 204	13,700 / 367	30,400 / 815	53,900 / 1445
		300 / 20.7	2700 / 72.4	4910 / 132	11,200 / 300	20,100 / 539	44,600 / 1195	46,000 / 1233
		500 / 34.5	4400 / 118	8090 / 217	18,300 / 490	32,900 / 882	22,000 / 590	
		750 / 51.7	6600 / 177	12,000 / 322	27,200 / 729	28,000 / 750		
		1000 / 69.0	8700 / 233	16,000 / 429	36,100 / 967			
		1250 / 86.2	11,000 / 295					
		1500 / 103	13,000 / 348					
		1750 / 121	15,000 / 402					
		2000 / 138	17,000 / 456					

1. Capacity is based on 20% droop unless otherwise noted below.
 2. For pressure settings under 10 psig / 0.69 bar, inlet pressure should be limited to approximately 100 psig / 6.9 bar so the setpoint adjustment can be obtained.
 3. For 5 psig / 0.34 bar pressure setpoint the droop is 2 psig / 0.14 bar.

Blank areas indicate where maximum operating inlet pressure for a given orifice is exceeded.

- continued -

Table 8. Type 627 Capacities for NPS 2 / DN 50 Body Size⁽¹⁾ (continued)

OUTLET PRESSURE RANGE, SPRING PART NUMBER, AND COLOR CODE	OUTLET PRESSURE SETTING, psig / bar	INLET PRESSURE, psig / bar	CAPACITIES IN SCFH / Nm ³ /h OF 0.6 SPECIFIC GRAVITY NATURAL GAS					
			Orifice Size, Inches / mm					
			3/32 / 2.4	1/8 / 3.2	3/16 / 4.8	1/4 / 6.4	3/8 / 9.5	1/2 / 13
35 to 80 psig / 2.4 to 5.5 bar 10B3078X012 Blue	60 / 4.1	75 / 5.2	700 / 18.8	1260 / 33.8	2760 / 74.0	4900 / 131	9000 / 241	12,300 / 330
		100 / 6.9	970 / 26.0	1740 / 46.6	4010 / 107	7000 / 188	15,000 / 402	20,400 / 547
		150 / 10.3	1420 / 38.1	2580 / 69.1	5850 / 157	10,500 / 281	23,300 / 624	35,200 / 943
		200 / 13.8	1850 / 49.6	3370 / 90.3	7630 / 204	13,700 / 367	30,400 / 815	53,900 / 1445
		300 / 20.7	2700 / 72.4	4910 / 132	11,200 / 300	20,100 / 539	44,600 / 1195	79,000 / 2117
		500 / 34.5	4400 / 118	8090 / 217	18,300 / 490	32,900 / 882	73,000 / 1956	38,800 / 1040
		750 / 51.7	6600 / 177	12,000 / 322	27,200 / 729	48,900 / 1311	53,000 / 1420	32,000 / 858
		1000 / 69.0	8700 / 233	16,000 / 429	36,100 / 967	43,000 / 1152	52,000 / 1394	
		1250 / 86.2	11,000 / 295	19,000 / 509	45,000 / 1206	70,000 / 1876		
		1500 / 103	13,000 / 348	22,000 / 590	54,000 / 1447	43,000 / 1152		
	1750 / 121	15,000 / 402	25,000 / 670	26,000 / 697				
	2000 / 138	17,000 / 456	28,000 / 750					
	80 / 5.5	100 / 6.9	900 / 24.1	1630 / 43.7	3750 / 101	6400 / 172	12,800 / 343	20,400 / 547
		150 / 10.3	1410 / 37.8	2580 / 69.1	5850 / 157	10,500 / 281	23,300 / 624	41,300 / 1107
		200 / 13.8	1850 / 49.6	3370 / 90.3	7630 / 204	13,700 / 367	30,400 / 815	53,900 / 1445
		300 / 20.7	2700 / 72.4	4910 / 132	11,200 / 300	20,100 / 539	44,600 / 1195	79,000 / 2117
		500 / 34.5	4400 / 118	8090 / 217	18,300 / 490	32,900 / 882	73,000 / 1956	48,000 / 1286
		750 / 51.7	6600 / 177	12,000 / 322	27,200 / 729	48,900 / 1311	87,000 / 2332	44,000 / 1179
		1000 / 69.0	8700 / 233	16,000 / 429	36,100 / 967	65,000 / 1742	63,000 / 1688	
		1250 / 86.2	11,000 / 295	19,000 / 509	45,000 / 1206	63,000 / 1688		
1500 / 103		13,000 / 348	22,000 / 590	54,000 / 1447	86,000 / 2305			
1750 / 121		15,000 / 402	25,000 / 670	63,000 / 1688				
2000 / 138	17,000 / 456	28,000 / 750						
70 to 150 psig / 4.8 to 10.3 bar 10B3079X012 Red	100 / 6.9	150 / 10.3	1170 / 31.4	2510 / 67.3	5540 / 148	8600 / 230	16,000 / 429	22,000 / 590
		200 / 13.8	1850 / 49.6	3370 / 90.3	7630 / 204	13,700 / 367	22,000 / 590	33,000 / 884
		300 / 20.7	2700 / 72.4	4910 / 132	11,200 / 300	20,100 / 539	35,000 / 938	65,300 / 1750
		500 / 34.5	4400 / 118	8090 / 217	18,300 / 490	32,900 / 882	73,000 / 1956	129,000 / 3457
		750 / 51.7	6600 / 177	12,000 / 322	27,200 / 729	48,900 / 1311	108,000 / 2894	54,000 / 1447
		1000 / 69.0	8700 / 233	16,000 / 429	36,100 / 967	64,800 / 1737	82,000 / 2198	
		1250 / 86.2	11,000 / 295	19,000 / 509	45,000 / 1206	80,000 / 2144	110,000 / 2948	
		1500 / 103	13,000 / 348	22,000 / 590	54,000 / 1447	96,000 / 2573		
		1750 / 121	15,000 / 402	25,000 / 670	63,000 / 1688	112,000 / 3002		
		2000 / 138	17,000 / 456	28,000 / 750	71,000 / 1903			
	125 / 8.6	150 / 10.3	1250 / 33.5	2340 / 62.7	5340 / 143	8600 / 230	16,000 / 429	24,000 / 643
		200 / 13.8	1830 / 49.0	3320 / 89.0	7550 / 202	13,700 / 367	24,000 / 643	36,000 / 965
		300 / 20.7	2700 / 72.4	4910 / 132	11,200 / 300	20,100 / 539	39,000 / 1045	65,300 / 1750
		500 / 34.5	4400 / 118	8090 / 217	18,300 / 490	32,900 / 882	73,000 / 1956	129,000 / 3457
		750 / 51.7	6600 / 177	12,000 / 322	27,200 / 729	48,900 / 1311	108,000 / 2894	59,000 / 1581
		1000 / 69.0	8700 / 233	16,000 / 429	36,100 / 967	64,800 / 1737	58,000 / 1554	
		1250 / 86.2	11,000 / 295	19,000 / 509	45,000 / 1206	80,000 / 2144	75,000 / 2010	
		1500 / 103	13,000 / 348	22,000 / 590	54,000 / 1447	96,000 / 2573		
		1750 / 121	15,000 / 402	25,000 / 670	63,000 / 1688	112,000 / 3002		
		2000 / 138	17,000 / 456	28,000 / 750	71,000 / 1903			
150 / 10.3	200 / 13.8	1760 / 47.2	3200 / 85.8	7290 / 195	13,000 / 348	24,000 / 643	38,000 / 1018	
	300 / 20.7	2700 / 72.4	4910 / 132	11,200 / 300	20,100 / 539	44,600 / 1195	64,200 / 1721	
	500 / 34.5	4400 / 118	8090 / 217	18,300 / 490	32,900 / 882	73,000 / 1956	129,000 / 3457	
	750 / 51.7	6600 / 177	12,000 / 322	27,200 / 729	48,900 / 1311	108,000 / 2894	62,000 / 1662	
	1000 / 69.0	8700 / 233	16,000 / 429	36,100 / 967	64,800 / 1737	144,000 / 3859		
	1250 / 86.2	11,000 / 295	19,000 / 509	45,000 / 1206	80,000 / 2144	81,000 / 2171		
	1500 / 103	13,000 / 348	22,000 / 590	54,000 / 1447	96,000 / 2573			
	1750 / 121	15,000 / 402	25,000 / 670	63,000 / 1688	112,000 / 3002			
	2000 / 138	17,000 / 456	28,000 / 750	71,000 / 1903				

1. Capacity is based on 20% droop unless otherwise noted below.
 [Blank] - Blank areas indicate where maximum operating inlet pressure for a given orifice is exceeded.

Bulletin 71.1:627

Table 9. Types 627M and 627MR Capacities for NPS 2 / DN 50 Body Size⁽¹⁾

OUTLET PRESSURE RANGE, SPRING PART NUMBER, AND COLOR CODE	OUTLET PRESSURE SETTING, psig / bar	INLET PRESSURE, psig / bar	CAPACITIES IN SCFH / Nm ³ /h OF 0.6 SPECIFIC GRAVITY NATURAL GAS					
			Orifice Size, Inches / mm					
			3/32 / 2.4	1/8 / 3.2	3/16 / 4.8	1/4 / 6.4	3/8 / 9.5	1/2 / 13
5 to 20 psig ⁽²⁾ / 0.34 to 1.4 bar 10B3076X012 Yellow	5 / 0.34 ⁽³⁾	10 / 0.69	170 / 4.6	330 / 8.8	710 / 19.0	1080 / 28.9	1700 / 45.6	2400 / 64.3
		15 / 1.0	240 / 6.4	390 / 10.5	890 / 23.9	1250 / 33.5	1900 / 50.9	2700 / 72.4
		20 / 1.4	290 / 7.8	500 / 13.4	1160 / 31.1	1900 / 50.9	2650 / 71.0	3900 / 105
		30 / 2.1	380 / 10.2	670 / 18.0	1560 / 41.8	2800 / 75.0	3680 / 98.6	6500 / 174
		60 / 4.1	640 / 17.2	1170 / 31.4	2600 / 69.7	4750 / 127	7250 / 194	15,000 / 402
		75 / 5.2	770 / 20.6	1410 / 37.8	3150 / 84.4	5700 / 153	8060 / 216	17,900 / 480
	10 / 0.69	100 / 6.9	990 / 26.5	1790 / 48.0	4070 / 109	7310 / 196	14,600 / 391	23,000 / 616
		15 / 1.0	210 / 5.6	375 / 10.1	880 / 23.6	1220 / 32.7	1860 / 49.8	2670 / 71.6
		20 / 1.4	280 / 7.5	490 / 13.1	1150 / 30.8	1880 / 50.4	2610 / 69.9	3830 / 103
		30 / 2.1	380 / 10.2	670 / 18.0	1560 / 41.8	2760 / 74.0	3640 / 97.6	6460 / 173
		60 / 4.1	640 / 17.2	1170 / 31.4	2600 / 69.7	4750 / 127	7250 / 194	15,000 / 402
		75 / 5.2	770 / 20.6	1410 / 37.8	3150 / 84.4	5700 / 153	8060 / 216	17,900 / 480
		100 / 6.9	990 / 26.5	1790 / 48.0	4070 / 109	7310 / 196	14,600 / 391	23,000 / 616
		150 / 10.3	1420 / 38.1	2580 / 69.1	5850 / 157	10,500 / 281	21,000 / 563	33,000 / 884
		200 / 13.8	1850 / 49.6	3370 / 90.3	7630 / 204	13,700 / 367	27,300 / 732	43,000 / 1152
		300 / 20.7	2700 / 72.4	4910 / 132	11,200 / 300	20,100 / 539	40,100 / 1075	
		500 / 34.5	4400 / 118	8090 / 217	18,300 / 490	32,900 / 882		
		750 / 51.7	6600 / 177	12,000 / 322	27,200 / 729			
		1000 / 69.0	8700 / 233	16,000 / 429				
		1250 / 86.2	11,000 / 295					
	1500 / 103	13,000 / 348						
	1750 / 121	15,000 / 402						
	2000 / 138	17,000 / 456						
	20 / 1.4	30 / 2.1	350 / 9.4	620 / 16.6	1450 / 38.9	2480 / 66.5	4300 / 115	6110 / 164
		50 / 3.4	550 / 14.7	1000 / 26.8	2280 / 61.1	4040 / 108	7100 / 190	12,800 / 343
		60 / 4.1	640 / 17.2	1170 / 31.4	2640 / 70.8	4750 / 127	8400 / 225	15,000 / 402
		100 / 6.9	990 / 26.5	1800 / 48.2	4070 / 109	7310 / 196	14,600 / 391	23,000 / 616
		150 / 10.3	1420 / 38.1	2580 / 69.1	5850 / 157	10,500 / 281	21,000 / 563	33,000 / 884
		200 / 13.8	1850 / 49.6	3370 / 90.3	7630 / 204	13,700 / 367	27,300 / 732	43,000 / 1152
		300 / 20.7	2700 / 72.4	4910 / 132	11,200 / 300	20,100 / 539	40,100 / 1075	
		500 / 34.5	4400 / 118	8090 / 217	18,300 / 490	32,900 / 882		
		750 / 51.7	6600 / 177	12,000 / 322	27,200 / 729			
		1000 / 69.0	8700 / 233	16,000 / 429				
		1250 / 86.2	11,000 / 295					
		1500 / 103	13,000 / 348					
		1750 / 121	15,000 / 402					
2000 / 138		17,000 / 456						
15 to 40 psig / 1.0 to 2.8 bar 10B3077X012 Green	40 / 2.8	60 / 4.1	610 / 16.3	1090 / 29.2	2530 / 67.8	4370 / 117	8680 / 233	13,300 / 356
		75 / 5.2	760 / 20.4	1370 / 36.7	3080 / 82.5	5540 / 148	10,700 / 287	19,300 / 517
		100 / 6.9	990 / 26.5	1800 / 48.2	4070 / 109	7310 / 196	14,600 / 391	25,400 / 681
		150 / 10.3	1420 / 38.1	2580 / 69.1	5850 / 157	10,500 / 281	21,000 / 563	37,000 / 992
		200 / 13.8	1850 / 49.6	3370 / 90.3	7630 / 204	13,700 / 367	27,300 / 732	48,000 / 1286
		300 / 20.7	2700 / 72.4	4910 / 132	11,200 / 300	20,100 / 539	40,100 / 1075	71,000 / 1903
		500 / 34.5	4400 / 118	8090 / 217	18,300 / 490	32,900 / 882	65,000 / 1742	
		750 / 51.7	6600 / 177	12,000 / 322	27,200 / 729	48,900 / 1311		
		1000 / 69.0	8700 / 233	16,000 / 429	36,100 / 967			
		1250 / 86.2	11,000 / 295	19,000 / 509				
		1500 / 103	13,000 / 348	22,000 / 590				
		1750 / 121	15,000 / 402					
		2000 / 138	17,000 / 456					

1. Capacity is based on 20% droop unless otherwise noted below.
2. For pressure settings under 10 psig / 0.69 bar, inlet pressure should be limited to approximately 100 psig / 6.9 bar so the setpoint adjustment can be obtained.
3. For 5 psig / 0.34 bar pressure setpoint the droop is 2 psig / 0.14 bar.
 - Blank areas indicate where maximum operating inlet pressure for a given orifice is exceeded.
 - Shaded areas indicate where a Type 627MR regulator should not be used because unbalanced forces can cause the internal relief valve to start-to-discharge during normal operation. Refer to Table 4.

- continued -

Table 9. Types 627M and 627MR Capacities for NPS 2 / DN 50 Body Size⁽¹⁾ (continued)

OUTLET PRESSURE RANGE, SPRING PART NUMBER, AND COLOR CODE	OUTLET PRESSURE SETTING, psig / bar	INLET PRESSURE, psig / bar	CAPACITIES IN SCFH / Nm ³ /h OF 0.6 SPECIFIC GRAVITY NATURAL GAS					
			Orifice Size, Inches / mm					
			3/32 / 2.4	1/8 / 3.2	3/16 / 4.8	1/4 / 6.4	3/8 / 9.5	1/2 / 13
35 to 80 psig / 2.4 to 5.5 bar 10B3078X012 Blue	60 / 4.1	75 / 5.2	700 / 18.8	1230 / 33.0	2760 / 74.0	4900 / 131	9000 / 241	12,300 / 330
		100 / 6.9	970 / 26.0	1740 / 46.6	4010 / 107	7000 / 188	15,000 / 402	20,400 / 547
		150 / 10.3	1420 / 38.1	2580 / 69.1	5850 / 157	10,500 / 281	23,300 / 624	35,200 / 943
		200 / 13.8	1850 / 49.6	3370 / 90.3	7630 / 204	13,700 / 367	30,400 / 815	48,500 / 1300
		300 / 20.7	2700 / 72.4	4910 / 132	11,200 / 300	20,100 / 539	44,600 / 1195	71,000 / 1903
		500 / 34.5	4400 / 118	8090 / 217	18,300 / 490	32,900 / 882	73,000 / 1956	116,000 / 3109
		750 / 51.7	6600 / 177	12,000 / 322	27,200 / 729	48,900 / 1311	108,000 / 2894	172,000 / 4610
		1000 / 69.0	8700 / 233	16,000 / 429	36,100 / 967	65,000 / 1742	144,000 / 3859	
		1250 / 86.2	11,000 / 295	19,000 / 509	45,000 / 1206	81,000 / 2171		
		1500 / 103	13,000 / 348	22,000 / 590	54,000 / 1447	97,000 / 2600		
	1750 / 121	15,000 / 402	25,000 / 670	63,000 / 1688				
	2000 / 138	17,000 / 456	28,000 / 750					
	80 / 5.5	100 / 6.9	900 / 24.1	1630 / 43.7	3750 / 101	6400 / 172	12,800 / 343	20,400 / 547
		150 / 10.3	1410 / 37.8	2580 / 69.1	5850 / 157	10,500 / 281	23,300 / 624	37,200 / 997
		200 / 13.8	1850 / 49.6	3370 / 90.3	7630 / 204	13,700 / 367	30,400 / 815	48,500 / 1300
		300 / 20.7	2700 / 72.4	4910 / 132	11,200 / 300	20,100 / 539	44,600 / 1195	71,000 / 1903
		500 / 34.5	4400 / 118	8090 / 217	18,300 / 490	32,900 / 882	73,000 / 1956	116,000 / 3109
		750 / 51.7	6600 / 177	12,000 / 322	27,200 / 729	48,900 / 1311	108,000 / 2894	172,000 / 4610
		1000 / 69.0	8700 / 233	16,000 / 429	36,100 / 967	65,000 / 1742	144,000 / 3859	
		1250 / 86.2	11,000 / 295	19,000 / 509	45,000 / 1206	81,000 / 2171		
1500 / 103		13,000 / 348	22,000 / 590	54,000 / 1447	97,000 / 2600			
1750 / 121		15,000 / 402	25,000 / 670	63,000 / 1688				
2000 / 138	17,000 / 456	28,000 / 750						
70 to 150 psig / 4.8 to 10.3 bar 10B3079X012 Red	100 / 6.9	150 / 10.3	1170 / 31.4	2510 / 67.3	5540 / 148	8600 / 230	16,000 / 429	22,000 / 590
		200 / 13.8	1850 / 49.6	3370 / 90.3	7630 / 204	13,700 / 367	22,000 / 590	33,000 / 884
		300 / 20.7	2700 / 72.4	4910 / 132	11,200 / 300	20,100 / 539	35,000 / 938	59,000 / 1581
		500 / 34.5	4400 / 118	8090 / 217	18,300 / 490	32,900 / 882	73,000 / 1956	116,000 / 3109
		750 / 51.7	6600 / 177	12,000 / 322	27,200 / 729	48,900 / 1311	108,000 / 2894	172,000 / 4610
		1000 / 69.0	8700 / 233	16,000 / 429	36,100 / 967	64,800 / 1737	144,000 / 3859	
		1250 / 86.2	11,000 / 295	19,000 / 509	45,000 / 1206	80,000 / 2144	179,000 / 4797	
		1500 / 103	13,000 / 348	22,000 / 590	54,000 / 1447	96,000 / 2573		
		1750 / 121	15,000 / 402	25,000 / 670	63,000 / 1688	112,000 / 3002		
		2000 / 138	17,000 / 456	28,000 / 750	71,000 / 1903			
	125 / 8.6	150 / 10.3	1250 / 33.5	2340 / 62.7	5340 / 143	8600 / 230	16,000 / 429	24,000 / 643
		200 / 13.8	1830 / 49.0	3320 / 89.0	7550 / 202	13,700 / 367	24,000 / 643	36,000 / 965
		300 / 20.7	2700 / 72.4	4910 / 132	11,200 / 300	20,100 / 539	39,000 / 1045	59,000 / 1581
		500 / 34.5	4400 / 118	8090 / 217	18,300 / 490	32,900 / 882	73,000 / 1956	116,000 / 3109
		750 / 51.7	6600 / 177	12,000 / 322	27,200 / 729	48,900 / 1311	108,000 / 2894	172,000 / 4610
		1000 / 69.0	8700 / 233	16,000 / 429	36,100 / 967	64,800 / 1737	144,000 / 3859	
		1250 / 86.2	11,000 / 295	19,000 / 509	45,000 / 1206	80,000 / 2144	179,000 / 4797	
		1500 / 103	13,000 / 348	22,000 / 590	54,000 / 1447	96,000 / 2573		
		1750 / 121	15,000 / 402	25,000 / 670	63,000 / 1688	112,000 / 3002		
		2000 / 138	17,000 / 456	28,000 / 750	71,000 / 1903			
150 / 10.3	200 / 13.8	1760 / 47.2	3200 / 85.8	7290 / 195	13,000 / 348	24,000 / 643	38,000 / 1018	
	300 / 20.7	2700 / 72.4	4910 / 132	11,200 / 300	20,100 / 539	44,600 / 1195	58,000 / 1554	
	500 / 34.5	4400 / 118	8090 / 217	18,300 / 490	32,900 / 882	73,000 / 1956	116,000 / 3109	
	750 / 51.7	6600 / 177	12,000 / 322	27,200 / 729	48,900 / 1311	108,000 / 2894	172,000 / 4610	
	1000 / 69.0	8700 / 233	16,000 / 429	36,100 / 967	64,800 / 1737	144,000 / 3859		
	1250 / 86.2	11,000 / 295	19,000 / 509	45,000 / 1206	80,000 / 2144	179,000 / 4797		
	1500 / 103	13,000 / 348	22,000 / 590	54,000 / 1447	96,000 / 2573			
	1750 / 121	15,000 / 402	25,000 / 670	63,000 / 1688	112,000 / 3002			
	2000 / 138	17,000 / 456	28,000 / 750	71,000 / 1903				

1. Capacity is based on 20% droop unless otherwise noted below.
 [Blank area] - Blank areas indicate where maximum operating inlet pressure for a given orifice is exceeded.
 [Shaded area] - Shaded areas indicate where a Type 627MR regulator should not be used because unbalanced forces can cause the internal relief valve to start-to-discharge during normal operation. Refer to Table 4.

Bulletin 71.1:627

Table 10. Types 627H and 627HM Capacities for 3/4 NPT Body Size⁽¹⁾

OUTLET PRESSURE RANGE, SPRING PART NUMBER, AND COLOR CODE	OUTLET PRESSURE SETTING, psig / bar	INLET PRESSURE, psig / bar	CAPACITIES IN SCFH / Nm ³ /h OF 0.6 SPECIFIC GRAVITY NATURAL GAS					
			Orifice Size, Inches / mm					
			3/32 / 2.4	1/8 / 3.2	3/16 / 4.8	1/4 / 6.4	3/8 / 9.5	1/2 / 13
140 to 250 psig / 9.6 to 17.2 bar 10B3078X012 Blue	150 / 10.3	200 / 13.8	1760 ⁽²⁾ / 47.2	3200 ⁽²⁾ / 85.8	7290 / 195	11,500 / 308	21,600 / 579	31,000 / 831
		250 / 17.2	2260 ⁽²⁾ / 60.6	4100 ⁽²⁾ / 110	9200 / 247	15,400 / 413	28,600 / 766	40,000 / 1072
		300 / 20.7	2700 / 72.4	4910 / 132	11,200 / 300	19,300 / 517	31,000 / 831	46,000 / 1233
		400 / 27.6	3600 / 96.5	6500 / 174	14,800 / 397	24,700 / 662	40,000 / 1072	50,000 / 1340
		500 / 34.5	4400 / 118	8090 / 217	18,300 / 490	29,700 / 796	51,000 / 1367	
		750 / 51.7	6600 / 177	12,000 / 322	27,200 / 729	43,000 / 1152		
		1000 / 69.0	8700 / 233	16,000 / 429	36,100 / 967	57,000 / 1528		
		1250 / 86.2	11,000 / 295	19,000 / 509	45,000 / 1206			
		1500 / 103	13,000 / 348	22,000 / 590	54,000 / 1447			
	1750 / 121	15,000 / 402	25,000 / 670	63,000 / 1688				
	2000 / 138	17,000 / 456	28,000 / 750					
	200 / 13.8	250 / 17.2	2160 ⁽²⁾ / 57.9	3850 ⁽²⁾ / 103	8400 / 225	15,000 / 402	31,000 / 831	41,000 / 1099
		300 / 20.7	2700 ⁽²⁾ / 72.4	4910 ⁽²⁾ / 132	11,200 / 300	19,500 / 523	36,000 / 965	52,000 / 1394
		400 / 27.6	3600 / 96.5	6500 / 174	14,800 / 397	25,500 / 683	52,000 / 1394	68,000 / 1822
		500 / 34.5	4400 / 118	8090 / 217	18,300 / 490	31,000 / 831	61,000 / 1635	
		750 / 51.7	6600 / 177	12,000 / 322	27,200 / 729	45,500 / 1219		
		1000 / 69.0	8700 / 233	16,000 / 429	36,100 / 967	60,000 / 1608		
		1250 / 86.2	11,000 / 295	19,000 / 509	45,000 / 1206			
		1500 / 103	13,000 / 348	22,000 / 590	54,000 / 1447			
		1750 / 121	15,000 / 402	25,000 / 670	63,000 / 1688			
	2000 / 138	17,000 / 456	28,000 / 750					
	250 / 17.2	300 / 20.7	2500 ⁽²⁾ / 67	4500 ⁽²⁾ / 121	9900 / 265	18,500 / 496	37,000 / 992	52,000 / 1394
		400 / 27.6	3600 ⁽²⁾ / 96.5	6400 ⁽²⁾ / 172	14,300 / 383	26,000 / 697	55,000 / 1474	74,000 / 1983
		500 / 34.5	4400 / 118	8090 / 217	18,300 / 490	33,000 / 884	64,000 / 1715	87,000 / 2332
		750 / 51.7	6600 / 177	12,000 / 322	27,200 / 729	49,000 / 1313	93,000 / 2492	
		1000 / 69.0	8700 / 233	16,000 / 429	36,100 / 967	65,000 / 1742		
		1250 / 86.2	11,000 / 295	19,000 / 509	45,000 / 1206	81,000 / 2171		
		1500 / 103	13,000 / 348	22,000 / 590	54,000 / 1447			
1750 / 121		15,000 / 402	25,000 / 670	63,000 / 1688				
2000 / 138		17,000 / 456	28,000 / 750	71,000 / 1903				
240 to 500 psig / 16.5 to 34.5 bar 10B3079X012 Red	250 / 17.2	300 / 20.7	2500 ⁽²⁾ / 67.0	4500 ⁽²⁾ / 121	9300 / 249	14,000 / 375	25,000 / 670	37,000 / 992
		400 / 27.6	3600 ⁽²⁾ / 96.5	6400 ⁽²⁾ / 172	14,300 / 383	21,400 / 574	36,000 / 965	49,000 / 1313
		500 / 34.5	4400 / 118	8090 / 217	18,300 / 490	26,300 / 705	42,000 / 1126	62,000 / 1662
		750 / 51.7	6600 / 177	12,000 / 322	27,200 / 729	37,100 / 994	57,000 / 1528	
		1000 / 69.0	8700 / 233	16,000 / 429	36,100 / 967	47,400 / 1270		
		1250 / 86.2	11,000 / 295	19,000 / 509	45,000 / 1206	57,000 / 1528		
		1500 / 103	13,000 / 348	22,000 / 590	54,000 / 1447			
		1750 / 121	15,000 / 402	25,000 / 670	63,000 / 1688			
	2000 / 138	17,000 / 456	28,000 / 750	71,000 / 1903				
	300 / 20.7	350 / 24.1	2900 ⁽²⁾ / 77.7	5150 ⁽²⁾ / 138	11,300 / 303	18,400 / 493	31,000 / 831	45,000 / 1206
		400 / 27.6	3500 ⁽²⁾ / 93.8	6200 ⁽²⁾ / 166	13,700 / 367	23,400 / 627	40,000 / 1072	52,000 / 1394
		500 / 34.5	4400 / 118	8090 / 217	18,300 / 490	32,000 / 858	53,000 / 1420	67,000 / 1796
		750 / 51.7	6600 / 177	12,000 / 322	27,200 / 729	48,000 / 1286	80,000 / 2144	
		1000 / 69.0	8700 / 233	16,000 / 429	36,100 / 967	62,000 / 1662		
		1250 / 86.2	11,000 / 295	19,000 / 509	45,000 / 1206	79,000 / 2117		
		1500 / 103	13,000 / 348	22,000 / 590	54,000 / 1447			
		1750 / 121	15,000 / 402	25,000 / 670	63,000 / 1688			
2000 / 138		17,000 / 456	28,000 / 750	71,000 / 1903				

1. Capacity is based on 20% droop unless otherwise noted below.
2. Small orifices and low pressure drops may cause the setpoint to shift ±15 psig / 1.0 bar.
 - Blank areas indicate where maximum operating inlet pressure for a given orifice is exceeded.

- continued -

Table 10. Types 627H and 627HM Capacities for 3/4 NPT Body Size⁽¹⁾ (continued)

OUTLET PRESSURE RANGE, SPRING PART NUMBER, AND COLOR CODE	OUTLET PRESSURE SETTING, psig / bar	INLET PRESSURE, psig / bar	CAPACITIES IN SCFH / Nm ³ /h OF 0.6 SPECIFIC GRAVITY NATURAL GAS					
			Orifice Size, Inches / mm					
			3/32 / 2.4	1/8 / 3.2	3/16 / 4.8	1/4 / 6.4	3/8 / 9.5	1/2 / 13
240 to 500 psig / 16.5 to 34.5 bar 10B3079X012 Red	400 / 27.6	450 / 31.0	3600 ⁽²⁾ / 96.5	6400 ⁽²⁾ / 172	14,000 / 375	25,000 / 670	47,000 / 1260	67,000 / 1796
		500 / 34.5	4400 ⁽²⁾ / 118	8090 ⁽²⁾ / 217	18,300 / 490	32,000 / 858	54,000 / 1447	77,000 / 2064
		750 / 51.7	6600 / 177	12,000 / 322	27,200 / 729	49,000 / 1313	91,000 / 2439	
		1000 / 69.0	8700 / 233	16,000 / 429	36,100 / 967	65,000 / 1742		
		1250 / 86.2	11,000 / 295	19,000 / 509	45,000 / 1206	81,000 / 2171		
		1500 / 103	13,000 / 348	22,000 / 590	54,000 / 1447			
		1750 / 121	15,000 / 402	25,000 / 670	63,000 / 1688			
	2000 / 138	17,000 / 456	28,000 / 750	71,000 / 1903				
	500 / 34.5	550 / 37.9	4300 ⁽²⁾ / 115	7700 ⁽²⁾ / 206	16,800 / 450	33,000 / 884	62,000 / 1662	90,000 / 2412
		600 / 41.4	4900 ⁽²⁾ / 131	8800 ⁽²⁾ / 236	19,400 / 520	37,000 / 992	70,000 / 1876	104,000 / 2787
		750 / 51.7	6600 / 177	12,000 / 322	27,200 / 729	49,000 / 1313	88,000 / 2358	137,000 / 3672
		1000 / 69.0	8700 / 233	16,000 / 429	36,100 / 967	65,000 / 1742	130,000 / 3484	
		1250 / 86.2	11,000 / 295	19,000 / 509	45,000 / 1206	81,000 / 2171		
		1500 / 103	13,000 / 348	22,000 / 590	54,000 / 1447	97,000 / 2600		
1750 / 121		15,000 / 402	25,000 / 670	63,000 / 1688				
2000 / 138	17,000 / 456	28,000 / 750	71,000 / 1903					

1. Capacity is based on 20% droop unless otherwise noted below.
 2. Small orifices and low pressure drops may cause the setpoint to shift ±15 psig / 1.0 bar.
 [] - Blank areas indicate where maximum operating inlet pressure for a given orifice is exceeded.

Table 11. Types 627H and 627HM Capacities for NPS 1 / DN 25 Body Size⁽¹⁾

OUTLET PRESSURE RANGE, SPRING PART NUMBER, AND COLOR CODE	OUTLET PRESSURE SETTING, psig / bar	INLET PRESSURE, psig / bar	CAPACITIES IN SCFH / Nm ³ /h OF 0.6 SPECIFIC GRAVITY NATURAL GAS					
			Orifice Size, Inches / mm					
			3/32 / 2.4	1/8 / 3.2	3/16 / 4.8	1/4 / 6.4	3/8 / 9.5	1/2 / 13
140 to 250 psig / 9.7 to 17.2 bar 10B3078X012 Blue	150 / 10.3	200 / 13.8	1760 ⁽²⁾ / 47.2	3200 ⁽²⁾ / 85.8	7290 / 195	11,500 / 308	21,600 / 579	31,000 / 831
		250 / 17.2	2260 ⁽²⁾ / 60.6	4100 ⁽²⁾ / 110	9200 / 247	15,400 / 413	28,600 / 766	40,000 / 1072
		300 / 20.7	2700 / 72.4	4910 / 132	11,200 / 300	19,300 / 517	31,000 / 831	46,000 / 1233
		400 / 27.6	3600 / 96.5	6500 / 174	14,800 / 397	25,000 / 670	40,000 / 1072	50,000 / 1340
		500 / 34.5	4400 / 118	8090 / 217	18,300 / 490	32,000 / 858	51,000 / 1367	
		750 / 51.7	6600 / 177	12,000 / 322	27,200 / 729	46,000 / 1233		
		1000 / 69.0	8700 / 233	16,000 / 429	36,100 / 967	57,000 / 1528		
		1250 / 86.2	11,000 / 295	19,000 / 509	45,000 / 1206			
		1500 / 103	13,000 / 348	22,000 / 590	54,000 / 1447			
		1750 / 121	15,000 / 402	25,000 / 670	63,000 / 1688			
140 to 250 psig / 9.6 to 17.2 bar 10B3078X012 Blue	200 / 13.8	250 / 17.2	2160 ⁽²⁾ / 57.9	3850 ⁽²⁾ / 103	8400 / 225	15,000 / 402	31,000 / 831	41,000 / 1099
		300 / 20.7	2700 ⁽²⁾ / 72.4	4910 ⁽²⁾ / 132	11,200 / 300	19,500 / 523	36,000 / 965	52,000 / 1394
		400 / 27.6	3600 / 96.5	6500 / 174	14,800 / 397	26,500 / 710	52,000 / 1394	68,000 / 1822
		500 / 34.5	4400 / 118	8090 / 217	18,300 / 490	33,000 / 884	61,000 / 1635	
		750 / 51.7	6600 / 177	12,000 / 322	27,200 / 729	49,000 / 1313		
		1000 / 69.0	8700 / 233	16,000 / 429	36,100 / 967	65,000 / 1742		
		1250 / 86.2	11,000 / 295	19,000 / 509	45,000 / 1206			
		1500 / 103	13,000 / 348	22,000 / 590	54,000 / 1447			
		1750 / 121	15,000 / 402	25,000 / 670	63,000 / 1688			
	2000 / 138	17,000 / 456	28,000 / 750					
	250 / 17.2	300 / 20.7	2500 ⁽²⁾ / 67.0	4500 ⁽²⁾ / 121	9900 / 265	18,500 / 496	37,000 / 992	52,000 / 1394
		400 / 27.6	3600 ⁽²⁾ / 96.5	6400 ⁽²⁾ / 172	14,300 / 383	26,000 / 697	55,000 / 1474	74,000 / 1983
		500 / 34.5	4400 / 118	8090 / 217	18,300 / 490	33,000 / 884	64,000 / 1715	87,000 / 2332
		750 / 51.7	6600 / 177	12,000 / 322	27,200 / 729	49,000 / 1313	93,000 / 2492	
		1000 / 69.0	8700 / 233	16,000 / 429	36,100 / 967	65,000 / 1742		
		1250 / 86.2	11,000 / 295	19,000 / 509	45,000 / 1206	81,000 / 2171		
		1500 / 103	13,000 / 348	22,000 / 590	54,000 / 1447			
		1750 / 121	15,000 / 402	25,000 / 670	63,000 / 1688			
2000 / 138		17,000 / 456	28,000 / 750	71,000 / 1903				

1. Capacity is based on 20% droop unless otherwise noted below.
 2. Small orifices and low pressure drops may cause the setpoint to shift ±15 psig / 1.0 bar.
 [] - Blank areas indicate where maximum operating inlet pressure for a given orifice is exceeded.

- continued -

Bulletin 71.1:627

Table 11. Types 627H and 627HM Capacities for NPS 1 / DN 25 Body Size⁽¹⁾ (continued)

OUTLET PRESSURE RANGE, SPRING PART NUMBER, AND COLOR CODE	OUTLET PRESSURE SETTING, psig / bar	INLET PRESSURE, psig / bar	CAPACITIES IN SCFH / Nm ³ /h OF 0.6 SPECIFIC GRAVITY NATURAL GAS					
			Orifice Size, Inches / mm					
			3/32 / 2.4	1/8 / 3.2	3/16 / 4.8	1/4 / 6.4	3/8 / 9.5	1/2 / 13
240 to 500 psig / 16.5 to 34.5 bar 10B3079X012 Red	250 / 17.2	300 / 20.7	2500 ⁽²⁾ / 67.0	4500 ⁽²⁾ / 121	9300 / 249	14,000 / 375	25,000 / 670	37,000 / 992
		400 / 27.6	3600 ⁽²⁾ / 96.5	6400 ⁽²⁾ / 172	14,300 / 383	21,400 / 574	36,000 / 965	49,000 / 1313
		500 / 34.5	4400 / 118	8090 / 217	18,300 / 490	26,300 / 705	42,000 / 1126	62,000 / 1662
		750 / 51.7	6600 / 177	12,000 / 322	27,200 / 729	37,100 / 994	57,000 / 1528	
		1000 / 69.0	8700 / 233	16,000 / 429	36,100 / 967	47,400 / 1270		
		1250 / 86.2	11,000 / 295	19,000 / 509	45,000 / 1206	57,000 / 1528		
		1500 / 103	13,000 / 348	22,000 / 590	54,000 / 1447			
		1750 / 121	15,000 / 402	25,000 / 670	63,000 / 1688			
	2000 / 138	17,000 / 456	28,000 / 750	71,000 / 1903				
	300 / 20.7	350 / 24.1	2900 ⁽²⁾ / 77.7	5150 ⁽²⁾ / 138	11,300 / 303	18,400 / 493	31,000 / 831	45,000 / 1206
		400 / 27.6	3500 ⁽²⁾ / 93.8	6200 ⁽²⁾ / 166	13,700 / 367	23,400 / 627	40,000 / 1072	52,000 / 1394
		500 / 34.5	4400 / 118	8090 / 217	18,300 / 490	32,000 / 858	53,000 / 1420	67,000 / 1796
		750 / 51.7	6600 / 177	12,000 / 322	27,200 / 729	48,000 / 1286	80,000 / 2144	
		1000 / 69.0	8700 / 233	16,000 / 429	36,100 / 967	62,000 / 1662		
		1250 / 86.2	11,000 / 295	19,000 / 509	45,000 / 1206	79,000 / 2117		
		1500 / 103	13,000 / 348	22,000 / 590	54,000 / 1447			
		1750 / 121	15,000 / 402	25,000 / 670	63,000 / 1688			
	2000 / 138	17,000 / 456	28,000 / 750	71,000 / 1903				
	400 / 27.6	450 / 31.0	3600 ⁽²⁾ / 96.5	6400 ⁽²⁾ / 172	14,000 / 375	25,000 / 670	47,000 / 1260	67,000 / 1796
		500 / 34.5	4400 ⁽²⁾ / 118	8090 ⁽²⁾ / 217	18,300 / 490	32,000 / 858	54,000 / 1447	77,000 / 2064
		750 / 51.7	6600 / 177	12,000 / 322	27,200 / 729	49,000 / 1313	91,000 / 2439	
		1000 / 69.0	8700 / 233	16,000 / 429	36,100 / 967	65,000 / 1742		
		1250 / 86.2	11,000 / 295	19,000 / 509	45,000 / 1206	81,000 / 2171		
		1500 / 103	13,000 / 348	22,000 / 590	54,000 / 1447			
		1750 / 121	15,000 / 402	25,000 / 670	63,000 / 1688			
		2000 / 138	17,000 / 456	28,000 / 750	71,000 / 1903			
	500 / 34.5	550 / 37.9	4300 ⁽²⁾ / 115	7700 ⁽²⁾ / 206	16,800 / 450	33,000 / 884	62,000 / 1662	90,000 / 2412
		600 / 41.4	4900 ⁽²⁾ / 131	8800 ⁽²⁾ / 236	19,400 / 520	37,000 / 992	70,000 / 1876	104,000 / 2787
750 / 51.7		6600 / 177	12,000 / 322	27,200 / 729	49,000 / 1313	88,000 / 2358	140,000 / 3752	
1000 / 69.0		8700 / 233	16,000 / 429	36,100 / 967	65,000 / 1742	130,000 / 3484		
1250 / 86.2		11,000 / 295	19,000 / 509	45,000 / 1206	81,000 / 2171			
1500 / 103		13,000 / 348	22,000 / 590	54,000 / 1447	97,000 / 2600			
1750 / 121		15,000 / 402	25,000 / 670	63,000 / 1688				
2000 / 138		17,000 / 456	28,000 / 750	71,000 / 1903				

1. Capacity is based on 20% droop unless otherwise noted below.
 2. Small orifices and low pressure drops may cause the setpoint to shift ±15 psig / 1.0 bar.
 [] - Blank areas indicate where maximum operating inlet pressure for a given orifice is exceeded.

Table 12. Types 627H and 627HM Capacities for NPS 2 / DN 50 Body Size⁽¹⁾

OUTLET PRESSURE RANGE, SPRING PART NUMBER, AND COLOR CODE	OUTLET PRESSURE SETTING, psig / bar	INLET PRESSURE, psig / bar	CAPACITIES IN SCFH / Nm ³ /h OF 0.6 SPECIFIC GRAVITY NATURAL GAS					
			Orifice Size, Inches / mm					
			3/32 / 2.4	1/8 / 3.2	3/16 / 4.8	1/4 / 6.4	3/8 / 9.5	1/2 / 13
140 to 250 psig / 9.6 to 17.2 bar 10B3078X012 Blue	150 / 10.3	200 / 13.8	1760 ⁽²⁾ / 47.2	3200 ⁽²⁾ / 85.8	7290 / 195	13,700 / 367	24,100 / 646	31,000 / 831
		250 / 17.2	2260 ⁽²⁾ / 60.6	4100 ⁽²⁾ / 110	9200 / 247	16,100 / 431	28,600 / 766	40,000 / 1072
		300 / 20.7	2700 / 72.4	4910 / 132	11,200 / 300	19,300 / 517	31,000 / 831	46,000 / 1233
		400 / 27.6	3600 / 96.5	6500 / 174	14,800 / 397	25,000 / 670	40,000 / 1072	50,000 / 1340
		500 / 34.5	4400 / 118	8090 / 217	18,300 / 490	32,000 / 858		
		750 / 51.7	6600 / 177	12,000 / 322	27,200 / 729	48,000 / 1286		
		1000 / 69.0	8700 / 233	16,000 / 429	36,100 / 967	65,000 / 1742		
		1250 / 86.2	11,000 / 295	19,000 / 509	45,000 / 1206			
		1500 / 103	13,000 / 348	22,000 / 590	54,000 / 1447			
		1750 / 121	15,000 / 402	25,000 / 670	63,000 / 1688			
2000 / 138	17,000 / 456	28,000 / 750						

1. Capacity is based on 20% droop unless otherwise noted below.
 2. Small orifices and low pressure drops may cause the setpoint to shift ±15 psig / 1.0 bar.
 [] - Blank areas indicate where maximum operating inlet pressure for a given orifice is exceeded.

- continued -

Table 12. Types 627H and 627HM Capacities for NPS 2 / DN 50 Body Size⁽¹⁾ (continued)

OUTLET PRESSURE RANGE, SPRING PART NUMBER, AND COLOR CODE	OUTLET PRESSURE SETTING, psig / bar	INLET PRESSURE, psig / bar	CAPACITIES IN SCFH / Nm ³ /h OF 0.6 SPECIFIC GRAVITY NATURAL GAS					
			Orifice Size, Inches / mm					
			3/32 / 2.4	1/8 / 3.2	3/16 / 4.8	1/4 / 6.4	3/8 / 9.5	1/2 / 13
140 to 250 psig / 9.6 to 17.2 bar 10B3078X012 Blue	200 / 13.8	250 / 17.2	2160 ⁽²⁾ / 57.9	3850 ⁽²⁾ / 103	8400 / 225	16,100 / 431	33,000 / 884	41,000 / 1099
		300 / 20.7	2700 ⁽²⁾ / 72.4	4910 ⁽²⁾ / 132	11,200 / 300	20,100 / 539	36,000 / 965	52,000 / 1394
		400 / 27.6	3600 / 96.5	6500 / 174	14,800 / 397	26,500 / 710	52,000 / 1394	68,000 / 1822
		500 / 34.5	4400 / 118	8090 / 217	18,300 / 490	33,000 / 884	61,000 / 1635	
		750 / 51.7	6600 / 177	12,000 / 322	27,200 / 729	49,000 / 1313		
		1000 / 69.0	8700 / 233	16,000 / 429	36,100 / 967	65,000 / 1742		
		1250 / 86.2	11,000 / 295	19,000 / 509	45,000 / 1206			
		1500 / 103	13,000 / 348	22,000 / 590	54,000 / 1447			
	1750 / 121	15,000 / 402	25,000 / 670	63,000 / 1688				
	2000 / 138	17,000 / 456	28,000 / 750					
	250 / 17.2	300 / 20.7	2500 ⁽²⁾ / 67.0	4500 ⁽²⁾ / 121	9900 / 265	18,500 / 496	37,000 / 992	75,000 / 2010
		400 / 27.6	3600 ⁽²⁾ / 96.5	6400 ⁽²⁾ / 172	14,300 / 383	26,000 / 697	55,000 / 1474	81,000 / 2171
		500 / 34.5	4400 / 118	8090 / 217	18,300 / 490	33,000 / 884	64,000 / 1715	95,000 / 2546
		750 / 51.7	6600 / 177	12,000 / 322	27,200 / 729	49,000 / 1313	102,000 / 2734	
1000 / 69.0		8700 / 233	16,000 / 429	36,100 / 967	65,000 / 1742			
1250 / 86.2		11,000 / 295	19,000 / 509	45,000 / 1206	81,000 / 2171			
1500 / 103		13,000 / 348	22,000 / 590	54,000 / 1447				
1750 / 121		15,000 / 402	25,000 / 670	63,000 / 1688				
2000 / 138	17,000 / 456	28,000 / 750	71,000 / 1903					
240 to 500 psig / 16.5 to 34.5 bar 10B3079X012 Red	250 / 17.2	300 / 20.7	2500 ⁽²⁾ / 67.0	4500 ⁽²⁾ / 121	9300 / 249	14,000 / 375	25,000 / 670	37,000 / 992
		400 / 27.6	3600 ⁽²⁾ / 96.5	6400 ⁽²⁾ / 172	14,300 / 383	21,400 / 574	36,000 / 965	49,000 / 1313
		500 / 34.5	4400 / 118	8090 / 217	18,300 / 490	26,300 / 705	42,000 / 1126	62,000 / 1662
		750 / 51.7	6600 / 177	12,000 / 322	27,200 / 729	37,100 / 994	57,000 / 1528	
		1000 / 69.0	8700 / 233	16,000 / 429	36,100 / 967	47,400 / 1270		
		1250 / 86.2	11,000 / 295	19,000 / 509	45,000 / 1206	57,000 / 1528		
		1500 / 103	13,000 / 348	22,000 / 590	54,000 / 1447			
		1750 / 121	15,000 / 402	25,000 / 670	63,000 / 1688			
	2000 / 138	17,000 / 456	28,000 / 750	71,000 / 1903				
	300 / 20.7	350 / 24.1	2900 ⁽²⁾ / 77.7	5150 ⁽²⁾ / 138	11,300 / 303	18,400 / 493	31,000 / 831	45,000 / 1206
		400 / 27.6	3500 ⁽²⁾ / 93.8	6200 ⁽²⁾ / 166	13,700 / 367	23,400 / 627	40,000 / 1072	52,000 / 1394
		500 / 34.5	4400 / 118	8090 / 217	18,300 / 490	32,000 / 858	53,000 / 1420	67,000 / 1796
		750 / 51.7	6600 / 177	12,000 / 322	27,200 / 729	48,000 / 1286	80,000 / 2144	
		1000 / 69.0	8700 / 233	16,000 / 429	36,100 / 967	62,000 / 1662		
1250 / 86.2		11,000 / 295	19,000 / 509	45,000 / 1206	79,000 / 2117			
1500 / 103		13,000 / 348	22,000 / 590	54,000 / 1447				
1750 / 121		15,000 / 402	25,000 / 670	63,000 / 1688				
2000 / 138	17,000 / 456	28,000 / 750	71,000 / 1903					
240 to 500 psig / 16.5 to 34.5 bar 10B3079X012 Red	400 / 27.6	450 / 31.0	3600 ⁽²⁾ / 96.5	6400 ⁽²⁾ / 172	14,000 / 375	25,000 / 670	47,000 / 1260	67,000 / 1796
		500 / 34.5	4400 ⁽²⁾ / 118	8090 ⁽²⁾ / 217	18,300 / 490	32,000 / 858	54,000 / 1447	77,000 / 2064
		750 / 51.7	6600 / 177	12,000 / 322	27,200 / 729	49,000 / 1313	91,000 / 2439	
		1000 / 69.0	8700 / 233	16,000 / 429	36,100 / 967	65,000 / 1742		
		1250 / 86.2	11,000 / 295	19,000 / 509	45,000 / 1206	81,000 / 2171		
		1500 / 103	13,000 / 348	22,000 / 590	54,000 / 1447			
		1750 / 121	15,000 / 402	25,000 / 670	63,000 / 1688			
		2000 / 138	17,000 / 456	28,000 / 750	71,000 / 1903			
	500 / 34.5	550 / 37.9	4300 ⁽²⁾ / 115	7700 ⁽²⁾ / 206	16,800 / 450	33,000 / 884	62,000 / 1662	90,000 / 2412
		600 / 41.4	4900 ⁽²⁾ / 131	8800 ⁽²⁾ / 236	19,400 / 520	37,000 / 992	70,000 / 1876	104,000 / 2787
		750 / 51.7	6600 / 177	12,000 / 322	27,200 / 729	49,000 / 1313	88,000 / 2358	140,000 / 3752
		1000 / 69.0	8700 / 233	16,000 / 429	36,100 / 967	65,000 / 1742	130,000 / 3484	
		1250 / 86.2	11,000 / 295	19,000 / 509	45,000 / 1206	81,000 / 2171		
		1500 / 103	13,000 / 348	22,000 / 590	54,000 / 1447	97,000 / 2600		
1750 / 121		15,000 / 402	25,000 / 670	63,000 / 1688				
2000 / 138		17,000 / 456	28,000 / 750	71,000 / 1903				

1. Capacity is based on 20% droop unless otherwise noted below.
 2. Small orifices and low pressure drops may cause the setpoint to shift ±15 psig / 1.0 bar.
 [Blank] - Blank areas indicate where maximum operating inlet pressure for a given orifice is exceeded.

Bulletin 71.1:627

Table 13. Type 627R Capacities for 3/4 NPT Body Size⁽¹⁾

OUTLET PRESSURE RANGE, SPRING PART NUMBER, AND COLOR CODE	OUTLET PRESSURE SETTING, psig / bar	INLET PRESSURE, psig / bar	CAPACITIES IN SCFH / Nm ³ /h OF 0.6 SPECIFIC GRAVITY NATURAL GAS					
			Orifice Size, Inches / mm					
			3/32 / 2.4	1/8 / 3.2	3/16 / 4.8	1/4 / 6.4	3/8 / 9.5	1/2 / 13
5 to 20 psig ⁽²⁾ / 0.34 to 1.4 bar 10B3076X012 Yellow	5 / 0.34	10 / 0.69	170 / 4.6	320 / 8.6	710 / 19.0	1050 / 28.1	1500 / 40.2	1850 / 49.6
		15 / 1.0	240 / 6.4	330 / 8.8	810 / 21.7	1290 / 34.6	2100 / 56.3	2850 / 76.4
		20 / 1.4	290 / 7.8	460 / 12.3	1090 / 29.2	1750 / 46.9	2750 / 73.7	3850 / 103
		30 / 2.1	380 / 10.2	610 / 16.3	1470 / 39.4	2490 / 66.7	3600 / 96.5	4800 / 129
		60 / 4.1	640 / 17.2	1170 / 31.4	2460 / 65.9	3690 / 98.9	5270 / 141	6120 / 164
		75 / 5.2	770 / 20.6	1410 / 37.8	2880 / 77.2	4150 / 111	5760 / 154	6900 / 185
	10 / 0.69	100 / 6.9	990 / 26.5	1690 / 45.3	3540 / 94.9	4790 / 128	6200 / 166	7600 / 204
		15 / 1.0	210 / 5.6	320 / 8.6	800 / 21.4	1290 / 34.6	2100 / 56.3	2820 / 75.6
		20 / 1.4	280 / 7.5	450 / 12.1	1070 / 28.7	1740 / 46.6	2700 / 72.4	3800 / 102
		30 / 2.1	380 / 10.2	610 / 16.3	1470 / 39.4	2430 / 65.1	3550 / 95.1	4780 / 128
		60 / 4.1	640 / 17.2	1170 / 31.4	2460 / 65.9	3690 / 98.9	5270 / 141	6120 / 164
		75 / 5.2	770 / 20.6	1410 / 37.8	2880 / 77.2	4150 / 111	5760 / 154	6900 / 185
		100 / 6.9	990 / 26.5	1690 / 45.3	3540 / 94.9	4790 / 128	6200 / 166	7600 / 204
		150 / 10.3	1420 / 38.1	2430 / 65.1	4000 / 107	5680 / 152	6250 / 168	7630 / 204
		200 / 13.8	1850 / 49.6	3070 / 82.3	4200 / 113	6200 / 166	6380 / 171	7680 / 206
		300 / 20.7	2700 / 72.4	3970 / 106	4270 / 114	6250 / 168	6500 / 174	
		500 / 34.5	4010 / 107	4240 / 114	5640 / 151	6520 / 175		
		750 / 51.7	4400 / 118	5120 / 137	6400 / 172			
		1000 / 69.0	4450 / 119	6220 / 167				
		1250 / 86.2	4540 / 122					
	1500 / 103	4880 / 131						
	1750 / 121	5230 / 140						
	2000 / 138	5900 / 158						
	20 / 1.4	30 / 2.1	350 / 9.4	590 / 15.8	1390 / 37.3	2480 / 66.5	4350 / 117	4970 / 133
		50 / 3.4	550 / 14.7	980 / 26.3	2240 / 60.0	4000 / 107	7450 / 200	8000 / 214
		60 / 4.1	640 / 17.2	1170 / 31.4	2610 / 69.9	4680 / 125	7800 / 209	8900 / 239
		100 / 6.9	990 / 26.5	1800 / 48.2	3980 / 107	6700 / 180	9750 / 261	10,400 / 279
		150 / 10.3	1420 / 38.1	2580 / 69.1	5600 / 150	8790 / 236	10,000 / 268	10,800 / 289
5 to 20 psig ⁽²⁾ / 0.34 to 1.4 bar 10B3076X012 Yellow	20 / 1.4	200 / 13.8	1850 / 49.6	3370 / 90.3	7050 / 189	9000 / 241	10,200 / 273	10,800 / 289
		300 / 20.7	2700 / 72.4	4910 / 132	7300 / 196	9500 / 255	10,500 / 281	
		500 / 34.5	4400 / 118	5200 / 139	7400 / 198	9760 / 262		
		750 / 51.7	6600 / 177	5360 / 144	8870 / 238			
		1000 / 69.0	7300 / 196	6500 / 174				
		1250 / 86.2	7500 / 201					
		1500 / 103	7800 / 209					
		1750 / 121	8400 / 225					
2000 / 138	8600 / 230							
15 to 40 psig / 1.0 to 2.8 bar 10B3077X012 Green	40 / 2.8	60 / 4.1	610 / 16.3	1090 / 29.2	2270 / 60.8	4230 / 113	8100 / 217	9100 / 244
		75 / 5.2	760 / 20.4	1370 / 36.7	3080 / 82.5	5330 / 143	10,300 / 276	11,600 / 311
		100 / 6.9	990 / 26.5	1790 / 48.0	4070 / 109	6840 / 183	11,900 / 319	13,400 / 359
		150 / 10.3	1420 / 38.1	2580 / 69.1	5850 / 157	9320 / 250	13,500 / 362	13,800 / 370
		200 / 13.8	1850 / 49.6	3370 / 90.3	7630 / 204	11,000 / 295	16,300 / 437	17,100 / 458
		300 / 20.7	2700 / 72.4	4910 / 132	11,200 / 300	14,700 / 394	17,800 / 477	
		500 / 34.5	4400 / 118	8090 / 217	14,500 / 389	14,800 / 397		
		750 / 51.7	6600 / 177	10,800 / 289	14,800 / 397	14,900 / 399		
		1000 / 69.0	8700 / 233	13,100 / 351	16,300 / 437			
		1250 / 86.2	11,000 / 295	13,800 / 370				
		1500 / 103	12,000 / 322	14,000 / 375				
		1750 / 121	13,000 / 348					
		2000 / 138	14,000 / 375					

1. Capacity is based on 20% droop unless otherwise noted below.
2. For pressure setting under 10 psig / 0.69 bar, inlet pressure should be limited to approximately 100 psig / 6.9 bar so that setpoint adjustment can be obtained.
[Blank] - Blank areas indicate where maximum operating inlet pressure for a given orifice is exceeded.

- continued -

Table 13. Type 627R Capacities for 3/4 NPT Body Size⁽¹⁾ (continued)

OUTLET PRESSURE RANGE, SPRING PART NUMBER, AND COLOR CODE	OUTLET PRESSURE SETTING, psig / bar	INLET PRESSURE, psig / bar	CAPACITIES IN SCFH / Nm ³ /h OF 0.6 SPECIFIC GRAVITY NATURAL GAS					
			Orifice Size, Inches / mm					
			3/32 / 2.4	1/8 / 3.2	3/16 / 4.8	1/4 / 6.4	3/8 / 9.5	1/2 / 13
35 to 80 psig / 2.4 to 5.5 bar 10B3078X012 Blue	60 / 4.1	75 / 5.2	700 / 18.8	1230 / 33.0	2760 / 74.0	4700 / 126	8170 / 219	12,600 / 338
		100 / 6.9	970 / 26.0	1740 / 46.6	3910 / 105	6690 / 179	11,900 / 319	14,400 / 386
		150 / 10.3	1420 / 38.1	2580 / 69.1	5850 / 157	9740 / 261	15,700 / 421	18,700 / 501
		200 / 13.8	1850 / 49.6	3370 / 90.3	7630 / 204	12,400 / 332	18,400 / 493	21,200 / 568
		300 / 20.7	2700 / 72.4	4910 / 132	11,200 / 300	17,700 / 474	20,200 / 541	
		500 / 34.5	4400 / 118	8090 / 217	18,300 / 490	20,000 / 536		
		750 / 51.7	6600 / 177	12,000 / 322	18,900 / 507	21,400 / 574		
		1000 / 69.0	8700 / 233	16,000 / 429	19,000 / 509			
		1250 / 86.2	11,000 / 295	18,700 / 501				
		1500 / 103	13,000 / 348	19,000 / 509				
	1750 / 121	15,000 / 402	20,000 / 536					
	2000 / 138	17,000 / 456						
	80 / 5.5	100 / 6.9	900 / 24.1	1630 / 43.7	3570 / 95.7	6490 / 174	12,000 / 322	17,200 / 461
		150 / 10.3	1410 / 37.8	2580 / 69.1	5750 / 154	10,500 / 281	18,900 / 507	25,000 / 670
		200 / 13.8	1850 / 49.6	3370 / 90.3	7630 / 204	13,700 / 367	23,000 / 616	29,000 / 777
		300 / 20.7	2700 / 72.4	4910 / 132	11,200 / 300	20,100 / 539	26,000 / 697	
		500 / 34.5	4400 / 118	8090 / 217	18,300 / 490	29,000 / 777		
		750 / 51.7	6600 / 177	12,000 / 322	23,100 / 619	30,900 / 828		
		1000 / 69.0	8700 / 233	16,000 / 429	27,400 / 734			
		1250 / 86.2	11,000 / 295	19,000 / 509				
1500 / 103		13,000 / 348	22,000 / 590					
1750 / 121		15,000 / 402	25,000 / 670					
2000 / 138	17,000 / 456							
70 to 150 psig / 4.8 to 10.3 bar 10B3079X012 Red	100 / 6.9	150 / 10.3	1170 / 31.4	2510 / 67.3	5540 / 148	8310 / 223	15,500 / 415	20,300 / 544
		200 / 13.8	1850 / 49.6	3370 / 90.3	7630 / 204	12,000 / 322	20,100 / 539	25,700 / 689
		300 / 20.7	2700 / 72.4	4910 / 132	11,200 / 300	18,200 / 488		
		500 / 34.5	4400 / 118	8090 / 217	18,300 / 490			
		750 / 51.7	6600 / 177	12,000 / 322				
		1000 / 69.0	8700 / 233	16,000 / 429				
		1250 / 86.2	11,000 / 295					
		1500 / 103	13,000 / 348					
		1750 / 121	15,000 / 402					
		2000 / 138	17,000 / 456					
70 to 150 psig / 4.8 to 10.3 bar 10B3079X012 Red	125 / 8.6	150 / 10.3	1250 / 33.5	2330 / 62.4	5090 / 136	9130 / 245	15,700 / 421	20,800 / 557
		200 / 13.8	1830 / 49.0	3320 / 89.0	7360 / 197	13,160 / 353	22,400 / 600	28,600 / 766
		300 / 20.7	2700 / 72.4	4910 / 132	11,200 / 300	19,700 / 528		
		500 / 34.5	4400 / 118	8090 / 217	18,300 / 490			
		750 / 51.7	6600 / 177	12,000 / 322				
		1000 / 69.0	8700 / 233	16,000 / 429				
		1250 / 86.2	11,000 / 295					
		1500 / 103	13,000 / 348					
		1750 / 121	15,000 / 402					
		2000 / 138	17,000 / 456					
	150 / 10.3	200 / 13.8	1760 / 47.2	3200 / 85.8	7020 / 188	12,500 / 335	21,400 / 574	30,600 / 820
		300 / 20.7	2700 / 72.4	4910 / 132	11,200 / 300	17,200 / 461		
		500 / 34.5	4400 / 118	8090 / 217	18,300 / 490			
		750 / 51.7	6600 / 177	12,000 / 322				
		1000 / 69.0	8700 / 233	16,000 / 429				
		1250 / 86.2	11,000 / 295					
		1500 / 103	13,000 / 348					
		1750 / 121	15,000 / 402					
		2000 / 138	17,000 / 456					

1. Capacity is based on 20% droop unless otherwise noted below.
 - Blank areas indicate where maximum operating inlet pressure for a given orifice is exceeded.

Bulletin 71.1:627

Table 14. Type 627R Capacities for NPS 1 and 2 / DN 25 and 50 Body Sizes⁽¹⁾

OUTLET PRESSURE RANGE, SPRING PART NUMBER, AND COLOR CODE	OUTLET PRESSURE SETTING, psig / bar	INLET PRESSURE, psig / bar	CAPACITIES IN SCFH / Nm ³ /h OF 0.6 SPECIFIC GRAVITY NATURAL GAS					
			Orifice Size, Inches / mm					
			3/32 / 2.4	1/8 / 3.2	3/16 / 4.8	1/4 / 6.4	3/8 / 9.5	1/2 / 13
5 to 20 psig ⁽²⁾ / 0.34 to 1.4 bar 10B3076X012 Yellow	5 / 0.34	10 / 0.69	170 / 4.6	330 / 8.8	710 / 19.0	1080 / 28.9	2000 / 53.6	2150 / 57.6
		15 / 1.0	240 / 6.4	390 / 10.5	890 / 23.9	1500 / 40.2	2350 / 63.0	3000 / 80.4
		20 / 1.4	290 / 7.8	500 / 13.4	1160 / 31.1	1900 / 50.9	2750 / 73.7	3900 / 105
		30 / 2.1	380 / 10.2	690 / 18.5	1500 / 40.2	2500 / 67.0	3600 / 96.5	4900 / 131
		60 / 4.1	640 / 17.2	1170 / 31.4	2460 / 65.9	3690 / 98.9	5650 / 151	6900 / 185
		75 / 5.2	770 / 20.6	1410 / 37.8	2880 / 77.2	4150 / 111	6450 / 173	7490 / 201
	10 / 0.69	100 / 6.9	990 / 26.5	1800 / 48.2	3540 / 94.9	5790 / 155	7520 / 202	8150 / 218
		15 / 1.0	210 / 5.6	390 / 10.5	840 / 22.5	1480 / 39.7	2300 / 61.6	2930 / 78.5
		20 / 1.4	280 / 7.5	500 / 13.4	1100 / 29.5	1880 / 50.4	2700 / 72.4	3830 / 103
		30 / 2.1	380 / 10.2	690 / 18.5	1500 / 40.2	2460 / 65.9	3550 / 95.1	4840 / 130
		60 / 4.1	640 / 17.2	1170 / 31.4	2460 / 65.9	3690 / 98.9	5650 / 151	6900 / 185
		75 / 5.2	770 / 20.6	1410 / 37.8	2880 / 77.2	4150 / 111	6450 / 173	7490 / 201
		100 / 6.9	990 / 26.5	1800 / 48.2	3540 / 94.9	4790 / 128	7520 / 202	8150 / 218
		150 / 10.3	1420 / 38.1	2580 / 69.1	4660 / 125	5680 / 152	9980 / 267	10,800 / 289
		200 / 13.8	1850 / 49.6	3370 / 90.3	5620 / 151	6360 / 170	11,000 / 295	12,900 / 346
		300 / 20.7	2700 / 72.4	4880 / 131	6890 / 185	7780 / 209	13,600 / 364	
		500 / 34.5	4400 / 118	6720 / 180	8570 / 230	11,600 / 311		
		750 / 51.7	5400 / 145	8850 / 237	9000 / 241			
		1000 / 69.0	5800 / 155	9500 / 255				
		1250 / 86.2	6300 / 169					
1500 / 103	6600 / 177							
1750 / 121	6800 / 182							
2000 / 138	7600 / 204							
5 to 20 psig ⁽²⁾ / 0.34 to 1.4 bar 10B3076X012 Yellow	20 / 1.4	30 / 2.1	350 / 9.4	600 / 16.1	1390 / 37.3	2580 / 69.1	4350 / 117	6290 / 169
		50 / 3.4	550 / 14.7	1000 / 26.8	2250 / 60.3	4090 / 110	7600 / 204	8000 / 214
		60 / 4.1	640 / 17.2	1170 / 31.4	2630 / 70.5	4750 / 127	7800 / 209	10,600 / 284
		100 / 6.9	990 / 26.5	1800 / 48.2	4070 / 109	7310 / 196	10,800 / 289	13,400 / 359
		150 / 10.3	1420 / 38.1	2580 / 69.1	5720 / 153	10,300 / 276	13,500 / 362	14,000 / 375
		200 / 13.8	1850 / 49.6	3370 / 90.3	7050 / 189	10,500 / 281	14,000 / 375	14,400 / 386
		300 / 20.7	2700 / 72.4	4910 / 132	9250 / 248	10,800 / 289	14,900 / 399	
		500 / 34.5	4400 / 118	7830 / 210	11,800 / 316	13,300 / 356		
		750 / 51.7	6600 / 177	9000 / 241	12,000 / 322			
		1000 / 69.0	8700 / 233	9660 / 259				
		1250 / 86.2	10,000 / 268					
		1500 / 103	10,400 / 279					
1750 / 121	12,000 / 322							
2000 / 138	14,000 / 375							
15 to 40 psig / 1.0 to 2.8 bar 10B3077X012 Green	40 / 2.8	60 / 4.1	610 / 16.3	1090 / 29.2	2430 / 65.1	4510 / 121	9200 / 247	9400 / 252
		75 / 5.2	760 / 20.4	1370 / 36.7	3080 / 82.5	5640 / 151	10,800 / 289	16,300 / 437
		100 / 6.9	990 / 26.5	1790 / 48.0	4070 / 109	7310 / 196	13,500 / 362	17,600 / 472
		150 / 10.3	1420 / 38.1	2580 / 69.1	5850 / 157	10,500 / 281	18,000 / 482	22,200 / 595
		200 / 13.8	1850 / 49.6	3370 / 90.3	7630 / 204	11,000 / 295	21,400 / 574	24,600 / 659
		300 / 20.7	2700 / 72.4	4910 / 132	11,200 / 300	14,900 / 399	24,400 / 654	
		500 / 34.5	4400 / 118	8090 / 217	16,300 / 437	21,800 / 584		
		750 / 51.7	6600 / 177	12,000 / 322	20,200 / 541	23,600 / 632		
		1000 / 69.0	8700 / 233	16,000 / 429	23,200 / 622			
		1250 / 86.2	11,000 / 295	19,000 / 509				
		1500 / 103	13,000 / 348	21,000 / 563				
		1750 / 121	15,000 / 402					
2000 / 138	17,000 / 456							

1. Capacity is based on 20% droop unless otherwise noted below.
 2. For pressure setting under 10 psig / 0.69 bar, inlet pressure should be limited to approximately 100 psig / 6.9 bar so that setpoint adjustment can be obtained.
 [Blank] - Blank areas indicate where maximum operating inlet pressure for a given orifice is exceeded.

- continued -

Table 14. Type 627R Capacities for NPS 1 and 2 / DN 25 and 50 Body Sizes⁽¹⁾ (continued)

OUTLET PRESSURE RANGE, SPRING PART NUMBER, AND COLOR CODE	OUTLET PRESSURE SETTING, psig / bar	INLET PRESSURE, psig / bar	CAPACITIES IN SCFH / Nm ³ /h OF 0.6 SPECIFIC GRAVITY NATURAL GAS					
			Orifice Size, Inches / mm					
			3/32 / 2.4	1/8 / 3.2	3/16 / 4.8	1/4 / 6.4	3/8 / 9.5	1/2 / 13
35 to 80 psig / 2.4 to 5.5 bar 10B3078X012 Blue	60 / 4.1	75 / 5.2	700 / 18.8	1230 / 33.0	2760 / 74.0	4860 / 130	8600 / 230	12,800 / 343
		100 / 6.9	970 / 26.0	1740 / 46.6	3910 / 105	7000 / 188	12,500 / 335	16,700 / 448
		150 / 10.3	1420 / 38.1	2580 / 69.1	5850 / 157	10,500 / 281	16,800 / 450	23,000 / 616
		200 / 13.8	1850 / 49.6	3370 / 90.3	7630 / 204	13,700 / 367	20,900 / 560	27,700 / 742
		300 / 20.7	2700 / 72.4	4910 / 132	11,200 / 300	20,100 / 539	28,100 / 753	
		500 / 34.5	4400 / 118	8090 / 217	18,300 / 490	28,500 / 764		
		750 / 51.7	6600 / 177	12,000 / 322	22,800 / 611	29,500 / 791		
		1000 / 69.0	8700 / 233	16,000 / 429	26,800 / 718			
		1250 / 86.2	11,000 / 295	19,000 / 509				
		1500 / 103	13,000 / 348	22,000 / 590				
	1750 / 121	15,000 / 402	25,000 / 670					
	2000 / 138	17,000 / 456						
	80 / 5.5	100 / 6.9	900 / 24.1	1630 / 43.7	3570 / 95.7	6650 / 178	12,000 / 322	17,400 / 466
		150 / 10.3	1410 / 37.8	2580 / 69.1	5750 / 154	10,500 / 281	20,100 / 539	26,000 / 697
		200 / 13.8	1850 / 49.6	3370 / 90.3	7630 / 204	13,700 / 367	25,100 / 673	31,800 / 852
		300 / 20.7	2700 / 72.4	4910 / 132	11,200 / 300	20,100 / 539	32,600 / 874	
		500 / 34.5	4400 / 118	8090 / 217	18,300 / 490	30,300 / 812		
		750 / 51.7	6600 / 177	12,000 / 322	27,200 / 729	37,400 / 1002		
		1000 / 69.0	8700 / 233	16,000 / 429	33,300 / 892			
		1250 / 86.2	11,000 / 295	19,000 / 509				
1500 / 103		13,000 / 348	22,000 / 590					
1750 / 121		15,000 / 402	25,000 / 670					
70 to 150 psig / 4.8 to 10.3 bar 10B3079X012 Red	100 / 6.9	150 / 10.3	1170 / 31.4	2510 / 67.3	5540 / 148	8310 / 223	15,500 / 415	20,300 / 544
		200 / 13.8	1850 / 49.6	3370 / 90.3	7630 / 204	12,000 / 322	20,100 / 539	26,700 / 716
		300 / 20.7	2700 / 72.4	4910 / 132	11,200 / 300	18,200 / 488		
		500 / 34.5	4400 / 118	8090 / 217	18,300 / 490			
		750 / 51.7	6600 / 177	12,000 / 322				
		1000 / 69.0	8700 / 233	16,000 / 429				
		1250 / 86.2	11,000 / 295					
		1500 / 103	13,000 / 348					
		1750 / 121	15,000 / 402					
		2000 / 138	17,000 / 456					
	125 / 8.6	150 / 10.3	1250 / 33.5	2330 / 62.4	5090 / 136	9470 / 254	15,700 / 421	20,800 / 557
		200 / 13.8	1830 / 49.0	3320 / 89.0	7360 / 197	13,400 / 359	23,600 / 632	31,300 / 839
		300 / 20.7	2700 / 72.4	4910 / 132	11,200 / 300	19,700 / 528		
		500 / 34.5	4400 / 118	8090 / 217	18,300 / 490			
		750 / 51.7	6600 / 177	12,000 / 322				
		1000 / 69.0	8700 / 233	16,000 / 429				
		1250 / 86.2	11,000 / 295					
		1500 / 103	13,000 / 348					
		1750 / 121	15,000 / 402					
		2000 / 138	17,000 / 456					
150 / 10.3	200 / 13.8	1760 / 47.2	3200 / 85.8	7020 / 188	12,900 / 346	21,400 / 574	33,300 / 892	
	300 / 20.7	2700 / 72.4	4910 / 132	11,200 / 300	17,200 / 461			
	500 / 34.5	4400 / 118	8090 / 217	18,300 / 490				
	750 / 51.7	6600 / 177	12,000 / 322					
	1000 / 69.0	8700 / 233	16,000 / 429					
	1250 / 86.2	11,000 / 295						
	1500 / 103	13,000 / 348						
	1750 / 121	15,000 / 402						
2000 / 138	17,000 / 456							

1. Capacity is based on 20% droop unless otherwise noted below.
 - Blank areas indicate where maximum operating inlet pressure for a given orifice is exceeded.

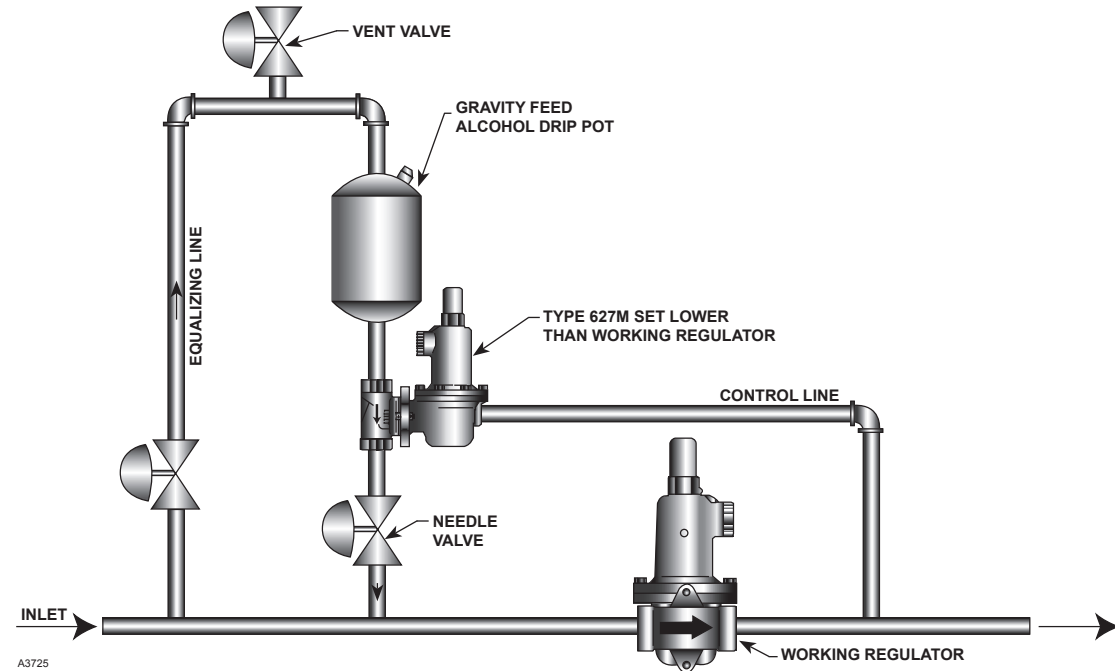


Figure 10. De-Icer System Installation Schematic

Table 15. Flow Coefficients

ORIFICE SIZE, Inch / mm	NPS 3/4 / DN 20 BODY			NPS 1 / DN 25 BODY			NPS 2 / DN 50 BODY		
	Wide-Open C_g for External Relief Sizing	Wide-Open C_v for External Relief Sizing	C_1	Wide-Open C_g for External Relief Sizing	Wide-Open C_v for External Relief Sizing	C_1	Wide-Open C_g for External Relief Sizing	Wide-Open C_v for External Relief Sizing	C_1
3/32 / 2.4	6.9	0.24	29.2	6.9	0.24	28.5	6.9	0.23	29.7
1/8 / 3.2	12.5	0.43	29.1	12.5	0.43	29.4	12.5	0.42	29.5
3/16 / 4.8	29	1.01	28.6	29	0.93	31.2	29	1.02	28.5
1/4 / 6.4	50	1.63	30.6	50	1.71	29.3	52	1.66	31.3
3/8 / 9.5	108	2.99	36.1	108	3.42	31.6	115	3.39	33.9
1/2 / 13	190	4.87	39.0	190	5.29	35.9	200	5.01	39.9

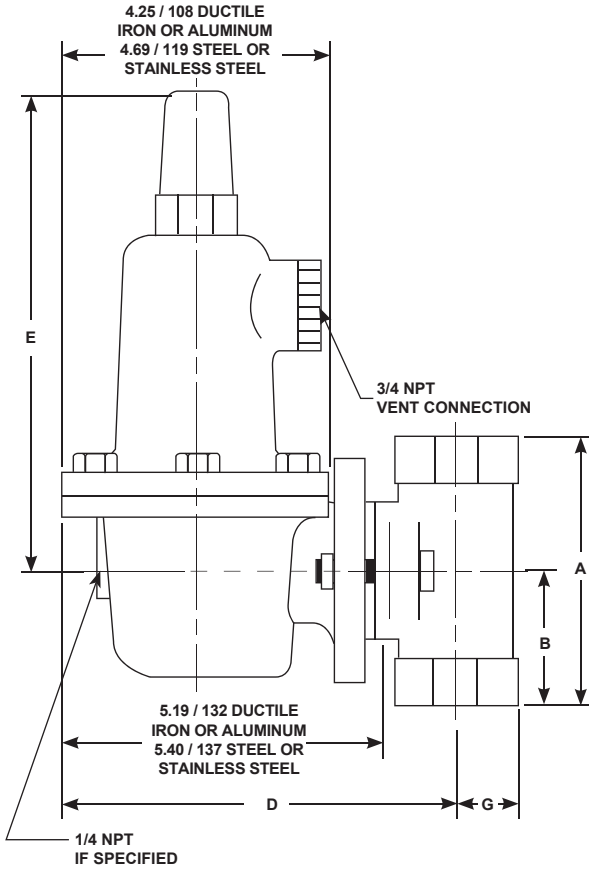
Table 16. IEC Sizing Coefficients

ORIFICE SIZE, Inch / mm	X_T			F_D	F_L
	NPS 3/4 / DN 20 Body	NPS 1 / DN 25 Body	NPS 2 / DN 50 Body		
3/32 / 2.4	0.539	0.514	0.558	0.50	0.85
1/8 / 3.2	0.536	0.547	0.539		0.79
3/16 / 4.8	0.517	0.616	0.514		0.85
1/4 / 6.4	0.592	0.543	0.620		0.87
3/8 / 9.5	0.824	0.632	0.727		0.89
1/2 / 13	0.962	0.815	1.01		0.86

Type 627M or 627HM De-Icer System Application

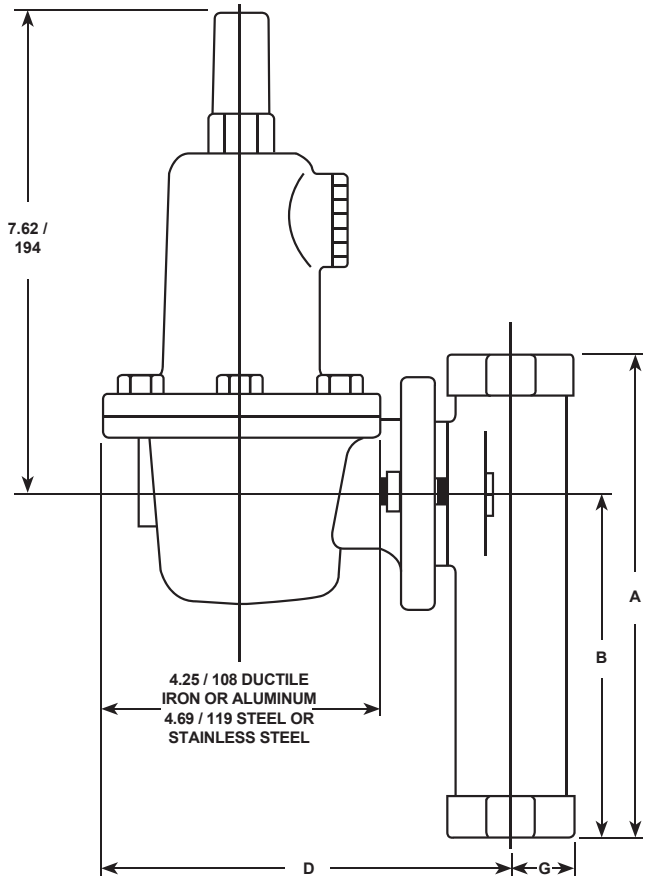
A 627 Series regulator can be used in a de-icer application as shown in Figure 10. As the orifice in the working regulator begins to freeze, ice formation decreases the orifice size so that the working regulator is unable to supply enough flow to satisfy the downstream demand. When downstream pressure falls below the outlet pressure setting of the Type 627M regulator, the disk of the Type 627M regulator moves off its orifice and lets alcohol flow into the main gas line. The alcohol

carried to the working regulator by the flow stream helps prevent additional ice formation on the orifice. Normal flow then resumes, and as pressure in the downstream system is restored, the Type 627M regulator shuts off. This is an economy feature which conserves both the alcohol and the number of man hours required to maintain the alcohol supply. The alcohol is supplied to the working regulator only when icing conditions exist.



10B5885

Figure 11. NPT Dimensions



Inches / mm

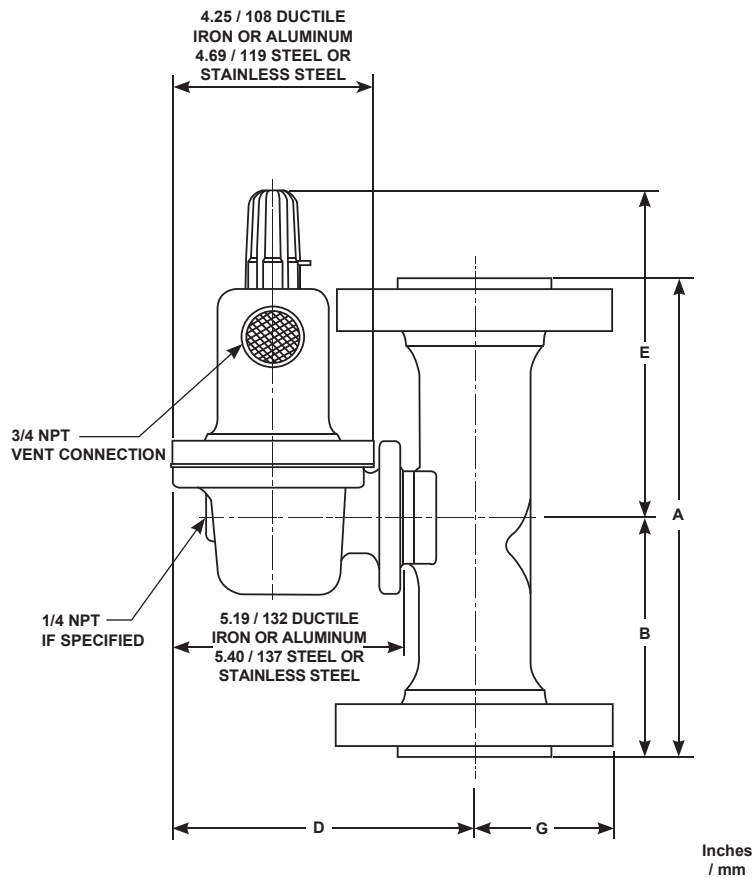
Figure 12. Long Body Dimensions

Table 17. NPT Body Dimensions

BODY SIZE, NPT	DIMENSIONS, Inch / mm						
	A	B	D		E		G
			Aluminum/ Ductile Iron	Steel/ Stainless Steel	Types 627, 627R, 627LR, 627M, and 627MR	Types 627H and 627HM	
3/4 and 1	4.06 / 103	2.03 / 51.6	6.50 / 165	6.75 / 171	7.62 / 194	7.94 / 202	1.00 / 25.4
2	5.00 / 127	2.50 / 63.5	6.88 / 175	7.12 / 181			1.69 / 42.9

Table 18. Long Body Dimensions

BODY SIZE, NPT	DIMENSIONS, Inch / mm				
	A	B	D		G
			Aluminum/ Ductile Iron	Steel/ Stainless Steel	
1	7.38 / 187	5.25 / 133	6.50 / 165	6.75 / 171	1.00 / 25.4
2	7.88 / 200	5.38 / 137	6.88 / 175	7.12 / 181	1.69 / 42.9



11B9818

Figure 13. Flanged Dimensions

Table 19. Flanged Body Dimensions

BODY SIZE, NPS / DN	DIMENSIONS, Inches / mm												
	A			B			D		E		G		
	CL150 RF	CL300 RF	CL600 RF	CL150 RF	CL300 RF	CL600 RF	Aluminum/ Ductile Iron	Steel/ Stainless Steel	Types 627, 627R, 627LR 627M, and 627MR	Types 627H and 627HM	CL150 RF	CL300 RF	CL600 RF
1 / 25	7.25 / 184	7.75 / 197	8.25 / 210	3.62 / 91.9	3.88 / 98.6	4.12 / 105	6.50 / 165	6.75 / 171	7.62 / 194	7.94 / 202	2.12 / 53.8	2.44 / 62.0	2.44 / 62.0
2 / 50	10 / 254	10.5 / 267	11.25 / 286	5 / 127	5.25 / 133	5.62 / 143	6.88 / 175	7.12 / 181			3 / 76.2	3.25 / 82.6	3.25 / 82.6

Ordering Information

Application

When ordering, specify:

1. Type of regulator
2. Body size
3. Body material and trim material
4. Orifice size in inches / millimeters
5. Control spring range in psig / bar

Ordering Guide

Type (Select One)

- 627 (basic construction)***
- 627H (high-pressure version)
(WCC steel/Stainless steel only)***
- 627M (external pressure registration)***
- 627HM***
- 627R (internal relief)***
- 627LR***
- 627MR***

Body Size (Select One)

- 3/4 (NPT only)***
- NPS 1 / DN 25***
- NPS 2 / DN 50***
- 1 NPT Long Body**
- 2 NPT Long Body**

Body Material and End Connection Styles (Select One)

Ductile Iron (not available for Types 627H and 627HM)

- NPT
(available end connection for Type 627 long body)***

WCC Steel (required for Types 627H and 627HM)

- NPT
(available end connection for Type 627 long body)***
- CL150 RF**
- CL300 RF***
- CL600 RF***
- PN 16/25/40**
- BWE*

Stainless Steel (Available only for

Types 627, 627R, and 627H)

- NPT***
- CL150 RF**
- CL300 RF***
- CL600 RF***
- PN 16/25/40**

Spring Case and Diaphragm Casing Material (Select One)

- Aluminum (Types 627, 627R, and 627LR only)***
- Ductile iron***
- WCC steel***
- Stainless Steel (Types 627, 627R, and 627H only)***

Diaphragm Material (Select One)

- Nitrile (NBR)***
- Fluorocarbon (FKM)***
- Neoprene (CR) (For Types 627H and 627HM only)***

Construction

Refer to the Specifications section and to each referenced table; specify the desired selection whenever there is a choice to be made. The standard assembly position is 1D for NPT connection and 3D for flanged bodies, as shown in Figure 8, but an alternate assembly position may be factory-ordered or can be accomplished in the field by unbolting the body or spring case using the instructions in the appropriate section of the Instruction Manual. For installation dimensions, refer to Figures 11 to 13.

Trim Material (Select One)

- Aluminum (Types 627, 627R, and 627LR only)***
- Stainless steel***

Valve Disk Material (Select One)

- Nitrile (NBR)***
- Nylon (PA) (not available to Type 627LR)***
- Fluorocarbon (FKM) (not available to Types 627H and 627HM)**

Orifice Size (Select One)

- 3/32 inch / 2.4 mm***
- 1/8 inch / 3.2 mm***
- 3/16 inch / 4.8 mm***
- 1/4 inch / 6.4 mm***
- 3/8 inch / 9.5 mm (not available to Type 627LR)***
- 1/2 inch / 13 mm (not available to Type 627LR)***

Outlet Pressure Range (Select One)

Types 627, 627M, 627R, and 627MR

- 5 to 20 psig / 0.34 to 1.4 bar, Yellow***
- 15 to 40 psig / 1.0 to 2.8 bar, Green***
- 35 to 80 psig / 2.4 to 5.5 bar, Blue***
- 70 to 150 psig / 4.8 to 10.3 bar, Red***

Type 627LR

- 15 to 40 psig / 1.0 to 2.8 bar, Green***

Types 627H and 627HM

- 140 to 250 psig / 9.7 to 17.2 bar, Blue***
- 240 to 500 psig / 16.5 to 34.5 bar, Red***

Body Position (Select One) Vent Position (Select One)

- Position 1 (standard for NPT connections)***
- Position 2**
- Position 3 (standard for flanged bodies)**
- Position 4**
- Position C**
- Position D (standard)***
- Position E**
- Position F**

DVGW Approval Required (Optional)

- Yes*

Replacement Parts Kit (Optional)

- Yes, send one replacement parts kit to match this order.

Regulators Quick Order Guide	
***	Readily Available for Shipment
**	Allow Additional Time for Shipment
*	Special Order, Constructed from Non-Stocked Parts. Consult your local Sales Office for Availability.
Availability of the product being ordered is determined by the component with the longest shipping time for the requested construction.	

Specification Worksheet	
Application:	
Specific Use	_____
Line Size	_____
Gas Type and Specific Gravity	_____
Gas Temperature	_____
Does the Application Require Overpressure Protection?	
<input type="checkbox"/> Yes <input type="checkbox"/> No If yes, which is preferred:	
<input type="checkbox"/> Relief Valve <input type="checkbox"/> Monitor Regulator <input type="checkbox"/> Shutoff Device	
Is overpressure protection equipment selection assistance desired? _____	
Pressure:	
Maximum Inlet Pressure (P _{1max})	_____
Minimum Inlet Pressure (P _{1min})	_____
Downstream Pressure Setting(s) (P ₂)	_____
Maximum Flow (Q _{max})	_____
Performance Required:	
Accuracy Requirements?	_____
Need for Extremely Fast Response?	_____
Other Requirements: _____	

Industrial Regulators

Emerson Process Management Regulator Technologies, Inc.

USA - Headquarters
 McKinney, Texas 75069-1872, USA
 Tel: +1 800 558 5853
 Outside U.S. +1 972 548 3574

Asia-Pacific
 Shanghai 201206, China
 Tel: +86 21 2892 9000

Europe
 Bologna 40013, Italy
 Tel: +39 051 419 0611

Middle East and Africa
 Dubai, United Arab Emirates
 Tel: +971 4811 8100

Natural Gas Technologies

Emerson Process Management Regulator Technologies, Inc.

USA - Headquarters
 McKinney, Texas 75069-1872, USA
 Tel: +1 800 558 5853
 Outside U.S. +1 972 548 3574

Asia-Pacific
 Singapore 128461, Singapore
 Tel: +65 6770 8337

Europe
 Bologna 40013, Italy
 Tel: +39 051 419 0611
 Chartres 28008, France
 Tel: +33 2 37 33 47 00

TESCOM

Emerson Process Management Tescom Corporation

USA - Headquarters
 Elk River, Minnesota 55330-2445, USA
 Tels: +1 763 241 3238
 +1 800 447 1250

Europe
 Selmsdorf 23923, Germany
 Tel: +49 38823 31 287

Asia-Pacific
 Shanghai 201206, China
 Tel: +86 21 2892 9499

For further information visit www.fisherregulators.com

The Emerson logo is a trademark and service mark of Emerson Electric Co. All other marks are the property of their prospective owners. Fisher is a mark owned by Fisher Controls International LLC, a business of Emerson Process Management.

The contents of this publication are presented for informational purposes only, and while every effort has been made to ensure their accuracy, they are not to be construed as warranties or guarantees, express or implied, regarding the products or services described herein or their use or applicability. We reserve the right to modify or improve the designs or specifications of such products at any time without notice.

Emerson Process Management Regulator Technologies, Inc., does not assume responsibility for the selection, use or maintenance of any product. Responsibility for proper selection, use and maintenance of any Emerson Process Management Regulator Technologies, Inc. product remains solely with the purchaser.