

67D Series Pressure Reducing Regulators



P1183

TYPE 67D OR 67DR REGULATOR



P1182

TYPE 67DF OR 67DFR FILTERED REGULATOR

Figure 1. 67D Series Pressure Reducing Regulators

- **Optional Smart Bleed™ Construction**
- **Optional Stainless Steel Construction**
- **Compact and Light Weight**
- **No Air Loss**
- **Easy Maintenance**
- **Optional Integral Filter**
- **Optional Internal Relief Valve**
- **Rugged Construction**



Bulletin 71.1:67D

Introduction

The 67D Series regulators are typically used to deliver constant reduced pressure of gaseous fluids to pilot-operated controllers and other pneumatic instrumentation. As shown in the Available Configurations table, an assortment of regulators is available to meet diverse flow requirements.

Features

- **Compact**—The 67D Series regulators are engineered for outstanding performance in a compact, lightweight package.
- **Pilot Supply Regulator**—Improves the accuracy of two-path control regulators by reducing inlet sensitivity caused by fluctuating inlet pressures.
- **Pressure Loading Regulator**—Provides accuracy and improved performance in dirty steam service by eliminating the need for a pilot regulator.
- **Sour Gas Service Capability**—NACE International MR0175 and MR0103 compliant construction available.
- **Optional Stainless Steel Construction**—The Types 67DS, 67DSR, 67DFS, and 67DFSR provide high resistance to corrosion, which is especially beneficial for offshore applications.
- **Full Usable Capacity**—Fisher® regulators are laboratory tested. 100% of the published capacities can be used with confidence.
- **Internal Relief**—The Types 67DR, 67DSR, 67DFR, and 67DFSR have an internal relief valve with a soft seat for reliable shutoff with no discernible leakage. These regulators are recommended for conserving plant air.
- **Smart Bleed™**—Opens to exhaust downstream pressure when inlet pressure drops below outlet pressure. Recommended for dead-end service.
- **Integral Filter**—The Types 67DF, 67DFR, 67DFS, and 67DFSR have an integral filter ensuring clean downstream air supply.
- **Ease of Maintenance**—No special tools are required to perform maintenance, and all maintenance can be performed with the regulator in the line. Filter elements are easily replaced.
- **Rugged Construction**—The 67D Series regulators are engineered for longer service life with minimal maintenance requirements.
- **Dual Second Outlets**—Body side outlets for pressure gauge or other uses.
- **Corrosion Resistant Fasteners**—Bolting and adjusting screw are double zinc-chromated for enhanced corrosion resistance. Optional stainless steel bolting and adjusting screw are also available.

Specifications

Available Configurations

- Type 67D:** Direct-operated regulator with aluminum body and without internal relief
 - Type 67DR:** Aluminum body with internal relief
 - Type 67DS:** Stainless steel body without internal relief
 - Type 67DSR:** Stainless steel body with internal relief
 - Type 67DF:** Aluminum body with filter and without internal relief
 - Type 67DFR:** Aluminum body with filter and internal relief
 - Type 67DFS:** Stainless steel body with filter and without internal relief
 - Type 67DFSR:** Stainless steel body with filter and internal relief
- See also Table 1

Body Size, Inlet and Outlet Connection Style
1/2 NPT

Construction Materials
See Table 3

Maximum Inlet Pressure (Body Rating)⁽¹⁾
All filtered models: 250 psig / 17.2 bar
All unfiltered models: 400 psig / 27.6 bar

Outlet Pressure Ranges
See Table 2

Maximum Emergency Outlet Pressure⁽¹⁾
150 psi / 10.3 bar over outlet pressure setting up to a maximum of 250 psi / 17.2 bar

Flow Capacities
See Table 4 and Capacity Information section

Wide-Open Flow Coefficients
Main Valve: $C_g: 45.24; C_v: 1.33; C_1: 35.02;$
Internal Relief Valve: $C_g: 1.45; C_v: 0.045; C_1: 32.8$

IEC Sizing Coefficients
 $X_t: 0.75$

Types 67DR, 67DSR, 67DFR, and 67DFSR Internal Relief Performance
Low capacity for minor seat leakage only, other overpressure protection must be provided if inlet pressure can exceed the maximum pressure rating of downstream equipment or exceeds maximum outlet pressure rating of the regulator.

Approximate Weights
Types 67D and 67DR: 1.2 pound / 0.5 kg
Types 67DF and 67DFR: 2.0 pounds / 0.9 kg
Types 67DS and 67DSR: 2.8 pounds / 1.2 kg
Types 67DFS and 67DFSR: 4.6 pounds / 2.1 kg

Smart Bleed™ Check Valve Setpoint
6 psi / 0.41 bar differential

Pressure Registration
Internal

Spring Case Vent Location
Aligned with inlet standard, other positions optional

Drain Valve Location
Aligned in the center of the dripwell

Temperature Capabilities⁽¹⁾
With Nitrile (NBR)
Standard Bolting: -20 to 180°F / -29 to 82°C
Stainless Steel Bolting: -40 to 180°F / -40 to 82°C

With Fluorocarbon (FKM):
Polyethylene Filter⁽⁴⁾ (Standard):

0 to 180°F / -18 to 82°C
Polyvinylidene (PVDF), Stainless Steel,
or Glass Filter (Optional):
 0 to 300°F / -18 to 149°C

With Silicone (VMQ)⁽²⁾ diaphragm, Low Temperature Nitrile (NBR) O-rings, and Low Temperature bolting: -60 to 180°F / -51 to 82°C

With Gauges: -40 to 180°F / -40 to 82°C
With Automatic drain: 40 to 175°F / 4 to 79°C

Types 67DF, 67DFR, 67DFS, and 67DFSR Filter Capabilities

Micron Rating:
Polyethylene Filter⁽⁴⁾ (Standard): 5 microns
Glass Fiber Filter (Optional): 5 microns
PVDF Filter (Optional): 40 microns
Stainless Steel Filter (Optional): 40 microns

Options

- All Types**
- Handwheel adjusting screw
 - NACE International MR0175 or MR0103⁽³⁾ construction
 - Panel mount (includes spring case with 1/4 NPT vent, handwheel, and panel mounting nut)
 - Closing cap (available on spring case with 1/4 NPT vent)
 - Fluorocarbon (FKM) elastomers for high temperatures and/or corrosive chemicals
 - Silicone (VMQ) elastomers for cold temperatures
 - Fixed Bleed Restriction
 - Triple scale outlet pressure gauge (brass or stainless steel)
 - Stainless steel stem and valve plug
 - Pipe plug in second outlet
- Types 67DFR and 67DFSR only**
- Smart Bleed internal check valve
- Types 67DF, 67DFR, 67DFS, and 67DFSR**
- Stainless steel drain valve

1. The pressure/temperature limits in this Bulletin and any applicable standard or code limitation should not be exceeded.
 2. Silicone (VMQ) is not compatible with hydrocarbon gas.
 3. Product complies with the material requirements of NACE International MR0175 or MR0103. Environmental limits may apply.
 4. Do not use in high aromatic hydrocarbon service.

Bulletin 71.1:67D

Table 1. Available Configurations

TYPE	CONSTRUCTION FEATURES		OPTIONAL FEATURES			BODY MATERIAL	
	With Internal Relief	With Filter	Smart Bleed™ Internal Check Valve Airset	Drain Valve	External Fixed Bleed	Aluminum	Stainless Steel
67D						X	
67DR	X				X	X	
67DS							X
67DSR	X				X		X
67DF		X		X		X	
67DFR	X	X	X	X	X	X	
67DFS		X		X			X
67DFSR	X	X	X	X	X		X

Table 2. Outlet Pressure Ranges and Control Spring Data

TYPES	OUTLET PRESSURE RANGES		CONTROL SPRING DATA						
			Part Number	Material	Color Code	Wire Diameter		Free Length	
	psig	bar				Inches	mm	Inches	mm
67D, 67DR, 67DF, and 67DFR	0 to 20	0 to 1.4	GE07809T012	Music Wire	Green stripe	0.135	3.43	1.43	36.2
	0 to 35	0 to 2.4	T14059T0012		Silver	0.156	3.96	1.43	36.2
	0 to 60	0 to 4.1	T14058T0012		Blue stripe	0.170	4.32	1.43	36.2
	0 to 125	0 to 8.6	T14060T0012		Red stripe	0.207	5.26	1.43	36.2
	0 to 35	0 to 2.4	T14113T0012	Inconel®	Silver stripe	0.156	3.96	1.43	36.2
	0 to 60	0 to 4.1	T14114T0012		Blue	0.172	4.37	1.43	36.2
0 to 125	0 to 8.6	T14115T0012	Red		0.207	5.26	1.43	36.2	
67DS, 67DSR, 67DFS, and 67DFSR	0 to 20	0 to 1.4	10C1729X012	Inconel®	Green	0.135	3.43	1.50	38.1
	0 to 35	0 to 2.4	T14113T0012		Silver stripe	0.156	3.96	1.43	36.2
	0 to 60	0 to 4.1	T14114T0012		Blue	0.172	4.37	1.43	36.2
	0 to 125	0 to 8.6	T14115T0012		Red	0.207	5.26	1.43	36.2
	0 to 150	0 to 10.3	10C1730X012		Black	0.250	6.35	1.77	44.9

Table 3. Construction Materials

MATERIAL	TYPES			
	67D and 67DR	67DF and 67DFR	67DS and 67DSR	67DFS and 67DFSR
BODY AND SPRING CASE	Aluminum (ASTM B85/Alloy 380)		CF8M/CF3M Stainless steel	
SPRING RETAINER	Aluminum	Zinc-plated steel	316L Stainless steel	
UPPER SPRING SEAT	Zinc-plated steel		316 Stainless steel	
DIAPHRAGM PLATE	Chromate conversion coated Aluminum			
CONTROL SPRING	Plated steel or Inconel® (NACE)		Inconel®	
VALVE STEM	Brass, Aluminum, or Stainless steel		316L Stainless steel	
VALVE PLUG				
VALVE SPRING	Stainless steel or Inconel® (NACE)			
DIAPHRAGM AND O-RINGS	Nitrile (NBR), Fluorocarbon (FKM), Low Temp Nitrile (NBR), or Silicone (VMQ) ⁽¹⁾			
SOFT SEAT AND GASKETS	Nitrile (NBR) or Fluorocarbon (FKM)			
BOLTING AND ADJUSTING SCREW	Zinc-plated steel or Stainless steel			
HANDWHEEL	Zinc-plated steel		Zinc-plated steel or Stainless steel	
FILTER RETAINER	----	316 Stainless steel	----	316 Stainless steel
FILTER ELEMENT	----	Plastic, Glass fiber, or Stainless steel	----	Plastic, Glass fiber or Stainless steel
DRAIN VALVE	----	Brass or 18-8 Stainless steel	----	316 Stainless steel or 18-8 Stainless steel
DRIPWELL	----	Aluminum (ASTM B85/Alloy 380)	----	CF8M/CF3M Stainless steel

1. Silicone (VMQ) diaphragm is only available with internal relief (Types 67DR, 67DSR, 67DFR, and 67DFSR).

Inconel® is a mark owned by Special Metals Corporation.

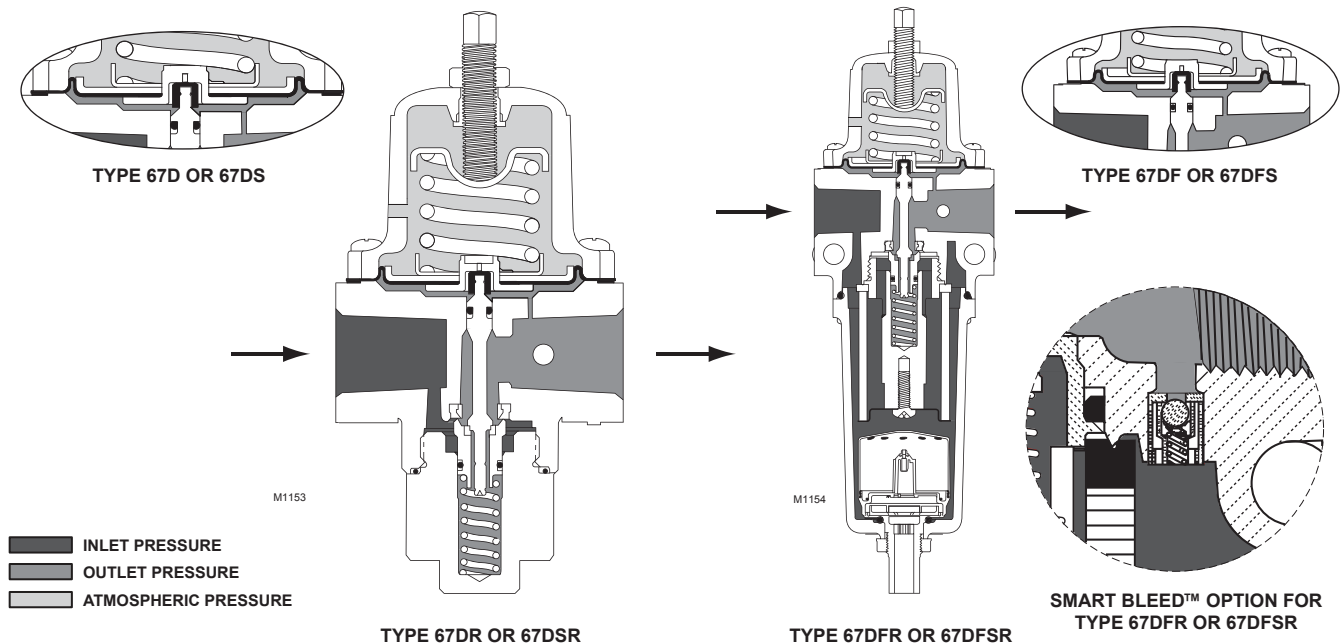


Figure 2. 67D Series Operational Schematics

Principle of Operation (Figure 2)

Downstream pressure is registered internally on the lower side of the diaphragm. When the downstream pressure is at or above the set pressure, the valve plug is held against the orifice and there is no flow through the regulator. When demand increases, downstream pressure drops slightly allowing the spring to extend, moving the stem down and the valve plug away from the orifice. This allows flow through the regulator.

Internal Relief (Types 67DR, 67DSR, 67DFR, and 67DFSR)

If for some reason, outside of normal operating conditions, the downstream pressure exceeds the setpoint of the regulator, the force created by the downstream pressure will lift the diaphragm until the diaphragm is lifted off the relief seat. This allows flow through the token relief. The relief valve on the Type 67DR, 67DSR, 67DFR, or 67DFSR is an elastomer plug that prevents leakage of air from the downstream to atmosphere during normal operation, thereby conserving plant air.

Smart Bleed™ Airset

In some cases, it is desired to exhaust downstream pressure if inlet pressure is lost or drops below the setpoint of the regulator. For example, if the regulator is installed on equipment that at times has no flow demand but is expected to backflow on loss of inlet pressure. The Type 67DFR or 67DFSR can be ordered with the Smart Bleed option which includes an internal check valve for this application. During

operation, if inlet pressure is lost, or decreases below the setpoint of the regulator, the downstream pressure will back flow upstream through the regulator and check valve. This option eliminates the need for a fixed bleed downstream of the regulator, thereby conserving plant air.

Note

During normal operation the check valve's metal to metal seat allows limited flow through the regulator from the inlet to outlet, even when there is no downstream demand. To prevent downstream pressure buildup, the Smart Bleed option is only available with the internal relief version of the 67 Series.

Installation

The 67D Series regulators may be installed in any position. Spring case vents must be protected against the entrance of rain, snow, debris, or any other foreign material that might plug the vent openings. The inlet connection is marked "In" and the main outlet connection is marked "Out". If a pressure gauge is not installed in one of the two secondary outlet connections, plug the unused connections. See Figures 4 and 5 for dimensions.

Emerson Process Management Regulator Technologies, Inc. provides an instruction manual with every regulator shipped. Refer to this for complete installation, operation and maintenance instructions. Included is a complete listing of individual parts and recommended spare parts.

Overpressure Protection

The 67D Series regulators have maximum outlet pressure ratings that are lower than their maximum inlet pressure ratings. A pressure-relieving or pressure-limiting device is needed if inlet pressure can exceed the maximum outlet pressure rating.

Types 67DR, 67DSR, 67DFR, and 67DFSR regulators have a low capacity internal relief valve for minor seat leakage only. Other overpressure protection must be provided if the maximum inlet pressure can exceed the maximum pressure rating of the downstream equipment or exceeds maximum outlet pressure rating of the Type 67DR, 67DSR, 67DFR, or 67DFSR regulator.

Overpressuring any portion of a regulator or associated equipment may cause leakage, parts damage, or personal injury due to bursting of pressure-containing parts or explosion of accumulated gas. Regulator operation within ratings does not preclude the possibility of damage from external sources or from debris in the pipeline. A regulator should be inspected for damage periodically and after any overpressure condition.

Refer to the Capacity Information section and the Wide-Open Flow Coefficients for Relief Valve Sizing in the Specifications section on page 3 to determine the required relief valve capacity.

Capacity Information

Table 4 shows the air regulating capacities of the 67D Series regulators at selected inlet pressures and outlet pressure settings. Flows are shown in SCFH (at 60°F and 14.7 psia) and in Nm³/h (at 0°C and 1.01325 bar) of air.

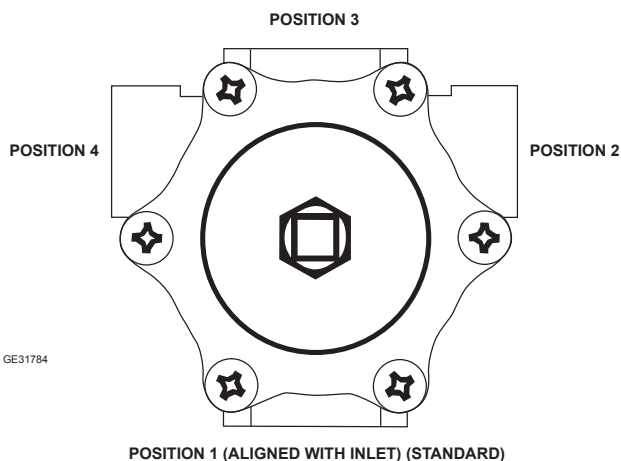


Figure 3. 67D Series Vent Positions

Note

The 67D Series regulators may be sized for 100% flow using capacities as shown in Table 4. It is not necessary to reduce published capacities.

To determine the equivalent capacities for other gases, multiply the table capacity by the following appropriate conversion factor: 1.29 for 0.6 specific gravity natural gas, 0.810 for propane, 0.707 for butane, or 1.018 for nitrogen. For gases of other specific gravities, divide the table capacities by the square root of the appropriate specific gravity. To find wide-open flow capacities for relief sizing at any inlet pressure, perform one of the following procedures. Then, if necessary, convert using the factors provided above.

For critical pressure drops (absolute outlet pressure equal to or less than one-half of absolute inlet pressure), use the following formula:

$$Q = (P_1)(C_g)$$

For pressure drops lower than critical (absolute outlet pressure greater than one-half of absolute inlet pressure), use the following formula:

$$Q = \sqrt{\frac{520}{GT}} C_g P_1 \text{SIN} \left(\frac{3417}{C_1} \sqrt{\frac{\Delta P}{P_1}} \right) \text{DEG}$$

where,

- Q = gas flow rate, SCFH
- P₁ = absolute inlet pressure, psia (P₁ gauge + 14.7)
- C_g = gas sizing coefficient
- G = specific gravity of the gas
- T = absolute temperature of gas at inlet, °Rankine
- C₁ = flow coefficient (C_g ÷ C_v)
- ΔP = pressure drop across the regulator, psi

Then, if capacity is desired in normal cubic meters per hour (at 0°C and 1.01325 bar), multiply SCFH by 0.0268.

NACE Universal Compliance

Optional materials are available for applications handling sour gases. These constructions comply with the recommendations of NACE International sour service standards.

The manufacturing processes and materials used by Regulator Technologies assure that all products specified for sour gas service comply with the chemical, physical, and metallurgical requirements of NACE MR0175 and/or NACE MR0103. Customers have the responsibility to specify correct materials. Environmental limitations may apply and shall be determined by the user.

Table 4. 67D Series Flow Capacities

OUTLET PRESSURE RANGE, SPRING PART NUMBER AND COLOR CODE	OUTLET PRESSURE		INLET PRESSURE		CAPACITIES IN SCFH / Nm ³ /h OF AIR											
	psig	bar	psig	bar	Types 67D, 67DR, 67DS, and 67DSR						Types 67DF, 67DFR, 67DFS, and 67DFSR					
					5% Droop		10% Droop		20% Droop		5% Droop		10% Droop		20% Droop	
					SCFH	Nm ³ /h	SCFH	Nm ³ /h	SCFH	Nm ³ /h	SCFH	Nm ³ /h	SCFH	Nm ³ /h	SCFH	Nm ³ /h
0 to 20 psig / 0 to 1.4 bar GE07809T012 (Green Stripe) 10C1729X012 (Green)	5	0.34	25	1.7	320	8.6	530	14.2	950	25.5	320	8.6	400	10.7	600	16.1
			50	3.4	740	19.8	1100	29.5	2200	59.0	400	10.7	540	14.5	1100	29.5
			75	5.2	1000	26.8	2700	72.4	3200	85.8	460	12.3	850	22.8	2600	69.7
			100	6.9	750	20.1	3600	96.5	4100	110	590	15.8	2800	75.0	2900	77.7
			150	10.3	850	22.8	3200	85.8	6100	163	780	20.9	1700	45.6	3900	105
			200	13.8	240	6.4	810	21.7	6300	169	940	25.2	1700	45.6	2200	59.0
	250	17.2	290	7.8	460	12.3	6300	169	1000	26.8	1800	48.2	2200	59.0		
	400 ⁽¹⁾	27.6	370	9.9	590	15.8	2700	72.4	----	----	----	----	----	----	----	
	10	0.69	25	1.7	450	12.1	790	21.2	1100	29.5	390	10.5	570	15.3	830	22.2
			50	3.4	1100	29.5	1900	50.9	2700	72.4	600	16.1	750	20.1	1700	45.6
			75	5.2	2600	69.7	3200	85.8	3900	105	870	23.3	2100	56.3	3100	83.1
			100	6.9	3900	104	4400	118	5100	137	1100	29.5	3300	88.4	3900	105
150			10.3	3400	91.1	6600	177	7400	198	2200	59.0	3200	85.8	4800	129	
200			13.8	1200	32.2	7800	209	7800	209	1900	50.9	2300	61.6	4900	131	
250	17.2	850	22.8	8000	214	8000	214	2000	53.6	2400	64.3	3300	88.4			
400 ⁽¹⁾	27.6	470	12.6	3400	91.1	4700	126	----	----	----	----	----	----	----		
20	1.4	50	3.4	1500	40.2	2100	56.3	2600	69.7	870	23.3	1500	40.2	2100	56.3	
		75	5.2	2600	69.7	3500	93.8	3800	102	1600	42.9	2600	69.7	3400	91.1	
		100	6.9	4500	121	4900	131	5100	137	3600	96.5	4300	115	4600	123	
		150	10.3	6700	180	7200	193	7600	204	4000	107	6600	177	6600	177	
		200	13.8	9000	241	9400	252	10,000	268	3300	88.4	4700	126	6900	185	
		250	17.2	11,200	300	11,200	300	11,200	300	2900	77.7	5100	137	7100	190	
400 ⁽¹⁾	27.6	5500	147	6100	163	9100	244	----	----	----	----	----	----	----		
0 to 35 psig / 1 to 2.4 bar T14059T0012 (Silver) T14113T0012 (Silver Stripe)	15	1.0	25	1.7	480	12.9	760	20.4	1000	26.8	360	9.7	520	14.0	800	21.4
			50	3.4	860	23.0	1500	40.2	2200	59.0	720	19.3	1300	34.8	2100	56.3
			75	5.2	1200	32.2	2700	72.4	3700	99.2	870	23.3	2100	56.3	3500	93.8
			100	6.9	2000	53.6	3900	104	4800	129	1100	29.5	3700	99.2	4400	118
			150	10.3	5000	134	5900	158	7200	193	3400	91.1	5700	153	6400	172
			200	13.8	1000	26.8	7600	204	8800	236	2600	69.7	4100	110	5900	158
	250	17.2	500	13.4	8900	239	9200	247	2700	72.4	3300	88.4	6000	161		
	400 ⁽¹⁾	27.6	820	22.0	6400	172	7400	198	----	----	----	----	----	----	----	
	20	1.4	25	1.7	370	9.9	570	15.3	810	21.7	420	11.3	570	15.3	940	25.2
			50	3.4	770	20.6	1200	32.2	1900	50.9	880	23.6	1500	40.2	2300	61.6
			75	5.2	1100	29.5	2600	69.7	3800	102	1100	29.5	2400	64.3	3900	105
			100	6.9	1800	48.2	4500	121	5200	139	1800	48.2	3800	102	4800	129
			150	10.3	6200	166	7000	188	7500	201	3900	104	6600	177	7000	188
			200	13.8	2900	77.7	7500	201	7800	209	5600	150	8700	233	8700	233
	250	17.2	4900	131	11,000	295	11,000	295	4400	118	8800	236	8800	236		
	400 ⁽¹⁾	27.6	830	22.2	8300	222	8300	222	----	----	----	----	----	----	----	
	35	2.4	50	3.4	1000	26.8	1700	45.6	2200	59.0	840	22.5	1300	34.8	2000	53.6
			75	5.2	2000	53.6	3200	85.8	3700	99.2	1500	40.2	2500	67.0	3300	88.4
100			6.9	2900	77.7	4500	121	5100	137	2000	53.6	3900	104	4700	126	
150			10.3	6700	180	7100	190	7600	204	6300	169	6800	182	7000	188	
200			13.8	9000	241	9500	255	9900	265	8800	236	9000	241	9000	241	
250			17.2	11,100	297	11,900	319	12,500	335	6000	161	10,000	268	10,000	268	
400 ⁽¹⁾	27.6	7600	204	9300	249	12,800	343	----	----	----	----	----	----	----		

1. Inlet pressures above 250 psig / 17.2 bar with a maximum of 400 psig / 27.6 bar are only available on unfiltered models (Types 67D, 67DR, 67DS, and 67DSR).

- continued -

Bulletin 71.1:67D

Table 4. 67D Series Flow Capacities (continued)

OUTLET PRESSURE RANGE, SPRING PART NUMBER AND COLOR CODE	OUTLET PRESSURE		INLET PRESSURE		CAPACITIES IN SCFH / Nm ³ /h OF AIR											
					Types 67D, 67DR, 67DS, and 67DSR						Types 67DF, 67DFR, 67DFS, and 67DFSR					
	psig	bar	psig	bar	5% Droop		10% Droop		20% Droop		5% Droop		10% Droop		20% Droop	
					SCFH	Nm ³ /h	SCFH	Nm ³ /h	SCFH	Nm ³ /h	SCFH	Nm ³ /h	SCFH	Nm ³ /h	SCFH	Nm ³ /h
0 to 60 psig / 0 to 4.1 bar T14058T0012 (Blue Stripe) T14114T0012 (Blue)	35	2.4	50	3.4	850	22.8	1400	37.5	2100	53.6	690	18.5	1100	29.5	1800	48.2
			75	5.2	1400	37.5	2500	67.0	3600	96.5	1000	26.8	1900	50.9	2900	77.7
			100	6.9	1900	50.9	4100	110	5100	137	1600	42.9	2700	72.4	4300	115
			150	10.3	6600	177	7100	190	7600	204	3100	83.1	5600	150	6600	177
			200	13.8	9200	247	9600	257	10,200	273	7200	193	8400	225	8900	239
	250	17.2	11,200	300	11,500	308	11,500	308	9500	255	9500	255	9500	255		
	400 ⁽¹⁾	27.6	1100	29.5	11,900	319	11,900	319	-----	-----	-----	-----	-----	-----		
	60	4.1	75	5.2	1200	32.2	2200	59.0	3000	80.4	920	24.7	1600	42.9	2600	69.7
			100	6.9	2100	56.3	3600	96.5	4600	123	1500	40.2	2500	67.0	4000	107
			150	10.3	4300	115	6900	185	7600	204	2600	69.7	5200	139	6600	177
200			13.8	9200	247	9700	260	10,200	273	4300	115	8300	222	8800	236	
250			17.2	11,900	319	12,400	332	12,800	343	9500	255	10,600	284	11,100	297	
400 ⁽¹⁾	27.6	4000	107	18,000	482	18,000	482	-----	-----	-----	-----	-----	-----			
0 to 125 psig / 0 to 8.6 bar T14060T0012 (Red Stripe) T14115T0012 (Red)	60	4.1	75	5.2	690	18.5	1200	32.2	2000	53.6	670	18.0	1100	29.5	2000	53.6
			100	6.9	1000	26.8	1900	50.9	3000	80.4	1000	26.8	1800	48.2	2900	77.7
			135	9.3	1500	40.2	3000	80.4	4600	123	1300	34.8	2500	67.0	4300	115
			150	10.3	1700	45.6	3500	93.8	5300	142	1400	37.5	2800	75.0	5200	139
			200	13.8	2500	67.0	6000	161	7700	206	1800	48.2	4100	110	7600	204
	250	17.2	5600	150	8100	217	9300	249	2400	64.3	6600	177	10,200	273		
	400 ⁽¹⁾	27.6	3500	93.8	17,900	480	17,900	480	-----	-----	-----	-----	-----	-----		
	80	5.5	100	6.9	1000	26.8	1700	45.6	2900	77.7	960	25.7	1700	45.6	3000	80.4
			135	9.3	1600	42.9	3000	80.4	4600	123	1500	40.2	2800	75.0	4600	123
			150	10.3	1900	50.9	3700	99.2	5400	145	1700	45.6	3100	83.1	5300	142
			200	13.8	2900	77.7	6000	161	7700	206	2200	59.0	4800	129	8000	214
			250	17.2	4200	113	10,200	273	12,200	327	2900	77.7	7100	190	10,600	284
	400 ⁽¹⁾	27.6	3700	99.2	19,900	533	10,400	279	-----	-----	-----	-----	-----	-----		
	125	8.6	135	9.3	1500	40.2	2500	67.0	3500	93.8	1600	42.9	2700	72.4	4400	118
			150	10.3	2100	56.3	3200	85.8	4300	115	1800	48.2	3200	85.8	5200	139
200			13.8	3800	102	5600	150	6700	180	2900	77.7	5200	139	8000	214	
250			17.2	5800	155	7800	209	9000	241	4100	110	7800	209	10,400	279	
400 ⁽¹⁾			27.6	6800	182	19,400	520	20,900	560	-----	-----	-----	-----	-----	-----	
0 to 150 psig / 0 to 10.3 bar ⁽²⁾ 10C1730X012 (Black)	110	7.6	150	10.3	1900	50.9	3300	88.4	5500	147	2000	53.6	3400	91.1	5600	150
			200	13.8	2700	72.4	4800	129	8300	222	2600	69.7	4800	129	8000	214
			250	17.2	3400	91.1	6200	166	10,500	281	3400	91.1	6000	161	10,400	279
	400 ⁽¹⁾	27.6	4200	113	11,300	303	19,100	512	-----	-----	-----	-----	-----	-----		
	135	9.3	150	10.3	1800	48.2	3300	88.4	5600	150	1800	48.2	3200	85.8	5500	147
			200	13.8	3000	80.4	5400	145	8300	222	2800	75.0	5100	137	8200	220
			250	17.2	3900	105	6700	180	10,700	287	3700	99.2	6600	177	11,000	295
	400 ⁽¹⁾	27.6	6400	172	13,300	356	19,300	517	-----	-----	-----	-----	-----	-----		
	150	10.3	200	13.8	2900	77.7	5200	139	8300	222	2900	77.7	5200	139	8200	220
250			17.2	4000	107	7400	198	11,000	295	4100	110	7300	196	11,000	295	
400 ⁽¹⁾			27.6	6400	172	13,900	373	19,700	528	-----	-----	-----	-----	-----	-----	

1. Inlet pressures above 250 psig / 17.2 bar with a maximum of 400 psig / 27.6 bar are only available on unfiltered models (Types 67D, 67DR, 67DS, and 67DSR).
 2. Available for Types 67DS, 67DSR, 67DFS, and 67DFSR only.

Ordering Information

When ordering, complete the Ordering Guide on pages 11 and 12. Refer to the Specifications section on page 3. Review the description to the right of each specification and the information in each referenced table or figure. Specify your choice whenever a selection is offered.

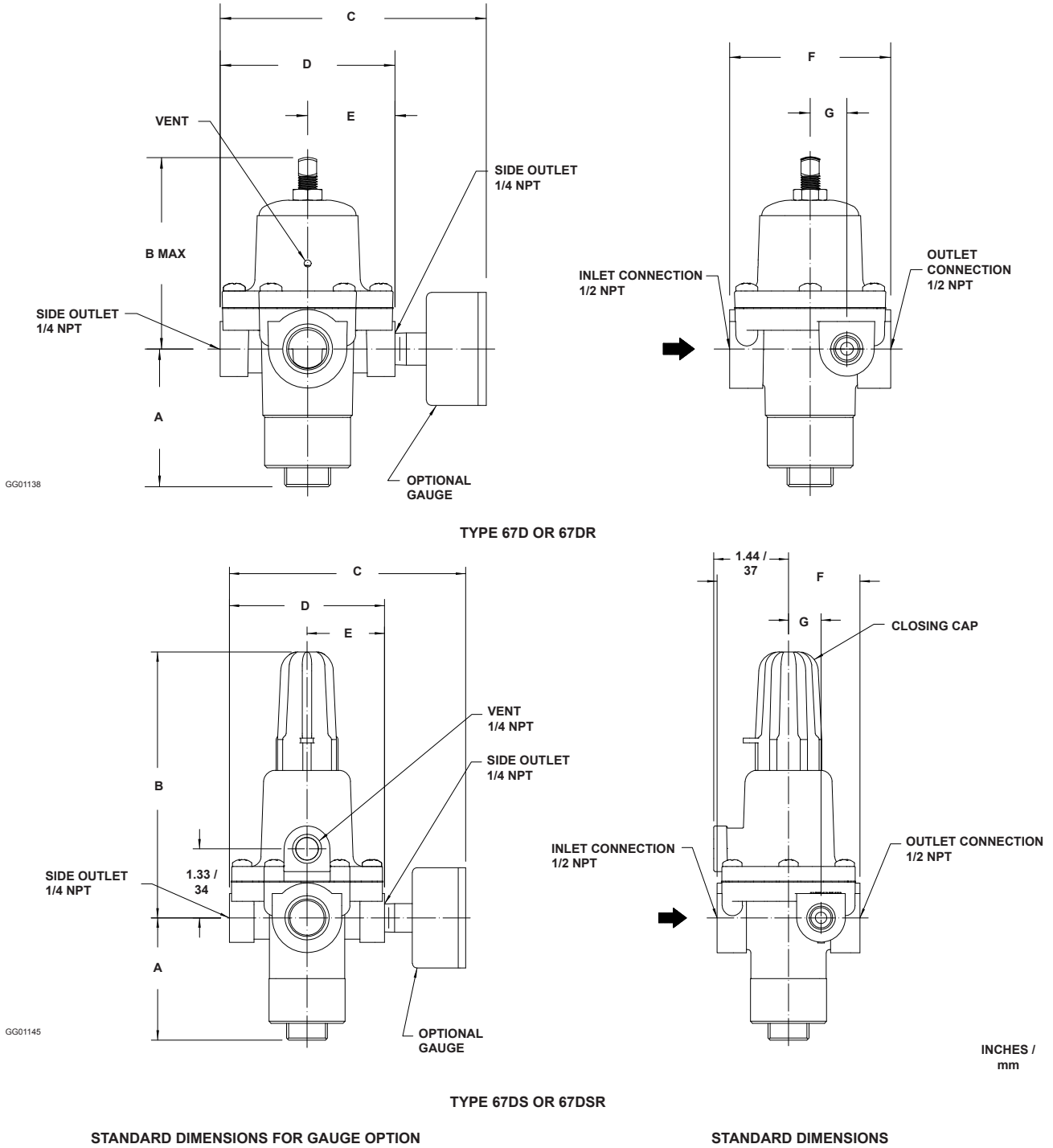


Figure 4. Types 67D, 67DR, 67DS, and 67DSR Dimensions

Table 5. Types 67D, 67DR, 67DS, and 67DSR Dimensions

TYPES	DIMENSIONS													
	A		B		C		D		E		F		G	
	Inches	mm	Inches	mm	Inches	mm	Inches	mm	Inches	mm	Inches	mm	Inches	mm
67D and 67DR	2.35	60	3.66	93	4.54	115	2.98	76	1.49	38	2.75	70	0.63	16
67DS and 67DSR			5.12	130										

Bulletin 71.1:67D

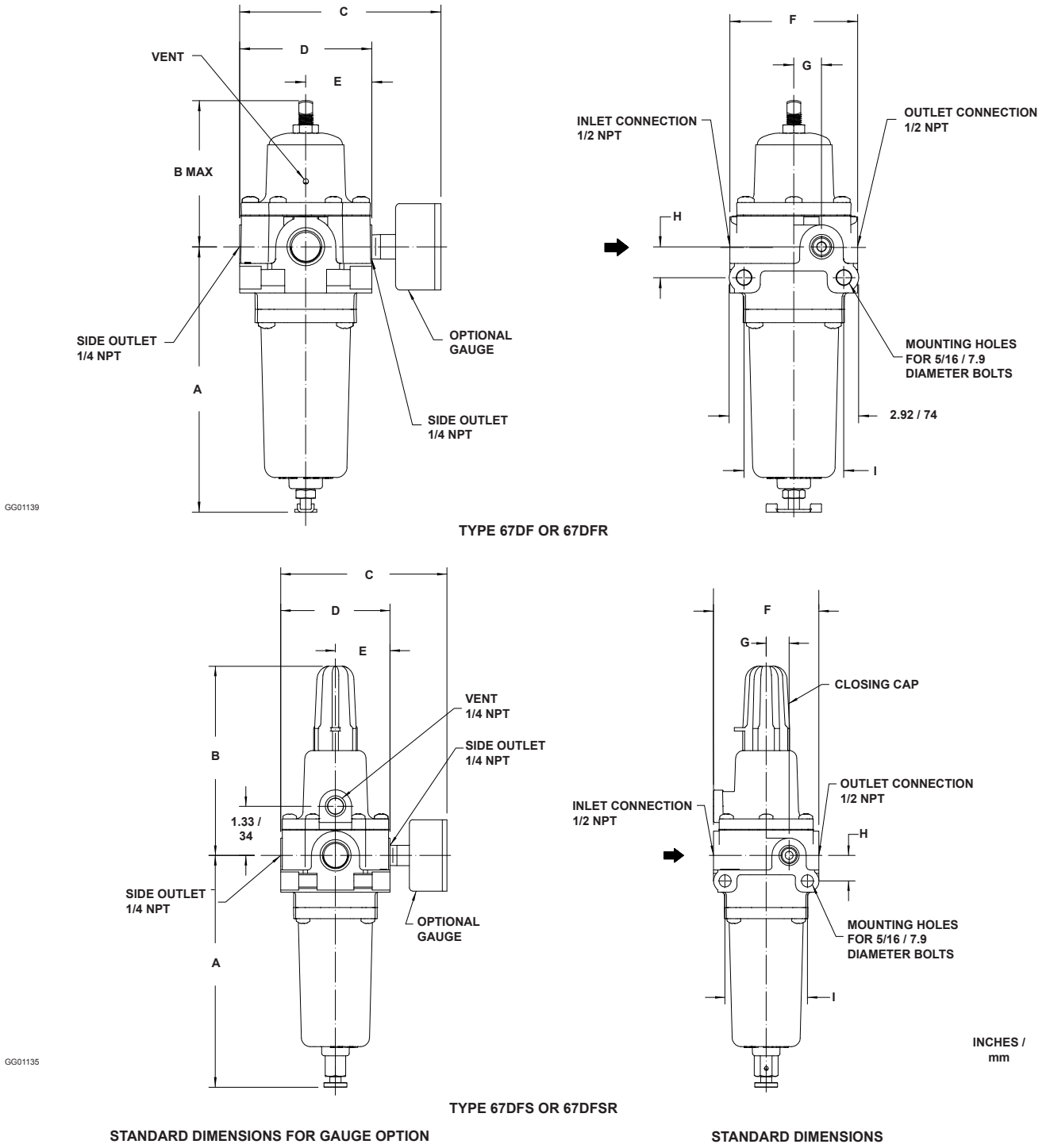


Figure 5. Types 67DF, 67DFR, 67DFS, and 67DFSR Dimensions

Table 6. Types 67DF, 67DFR, 67DFS, and 67DFSR Dimensions

TYPES	DIMENSIONS																	
	A		B		C		D		E		F		G		H		I	
	Inches	mm	Inches	mm	Inches	mm	Inches	mm	Inches	mm	Inches	mm	Inches	mm	Inches	mm	Inches	mm
67DF and 67DFR	5.93	151	3.66	93	4.54	115	2.98	76	1.49	38	2.88	73	0.63	16	0.69	18	2.25	57
67DFS and 67DFSR	6.27	159	5.12	130														

Ordering Guide

Type (Select One)

- 67D (aluminum without internal relief)***
- 67DR (aluminum with internal relief)***
- 67DS (stainless steel without internal relief)***
- 67DSR (stainless steel with internal relief)***
- 67DF (aluminum with filter and without internal relief)***
- 67DFR (aluminum with filter and internal relief)***
- 67DFS (stainless steel with filter and without internal relief)***
- 67DFSR (stainless steel with filter and internal relief)***

Quantity (Specify) _____

Spring Case Style (Select One)

- Drilled hole vent (Types 67D, 67DR, 67DF, and 67DFR **standard**)***
- 1/4 NPT vent (Types 67DS, 67DSR, 67DFS, and 67DFSR **standard**)***
- Single hole panel mount***

Adjusting Screw (Select One)

- Square head (Types 67D, 67DR, 67DF, 67DFR **standard**)***
- Square head with closing cap (Types 67DS, 67DSR, 67DFS, and 67DFSR **standard**)***
- Handwheel***

Outlet Pressure Range (Select One)

- 0 to 20 psig / 0 to 1.4 bar***
- 0 to 35 psig / 0 to 2.4 bar***
- 0 to 60 psig / 0 to 4.1 bar***
- 0 to 125 psig / 0 to 8.6 bar***
- 0 to 150 psig / 0 to 10.3 bar (Types 67DS, 67DSR, 67DFS, and 67DFSR only)***

Diaphragm, O-Rings, and Valve Seat Plug (Select One)

- Nitrile (NBR) (**standard**)***
- Fluorocarbon (FKM)**
- Silicone (VMQ) diaphragm, Low Temperature Nitrile (NBR) O-rings, and Nitrile (NBR) valve seat*

Filter Material (Select One)

- Polyethylene (5 microns) (**standard**)***
- Glass (5 microns)***
- Polyvinylidene (PVDF) (40 microns)***
- Stainless steel (40 microns)***

Drain Valve (Select One)

- Brass (Types 67DF and 67DFR **standard**)***
- Stainless steel (Types 67DFS and 67DFSR **standard**)***
- Automatic Drain with Nitrile (NBR) elastomers***
- Automatic Drain with Fluorocarbon (FKM) elastomers**

Spring Case Vent Location (Select One)

- Position 1 - Aligned with inlet (**standard**)***
- Position 2
- Position 3
- Position 4

External Fixed Bleed for Type 67DR, 67DSR, 67DFR, or 67DFSR (Optional)

- Yes**

Smart Bleed™ Internal Check Valve Airset

(Optional - Types 67DFR and 67DFSR only)

- Yes**

Second Outlet (Select One)

- Open (Types 67D, 67DR, 67DF, and 67DFR **standard**)***
- Plugged with pipe plug (Types 67DS, 67DSR, 67DFS, and 67DFSR **standard**)***
- Pressure Gauge (see below)

Triple Scale Pressure Gauge (Optional)

- Brass Gauge** or **Stainless Steel Gauge**
 - 0 to 30 psig / 0 to 0.2 MPa / 0 to 2.1 bar***
 - 0 to 60 psig / 0 to 0.4 MPa / 0 to 4.1 bar***
 - 0 to 160 psig / 0 to 1.1 MPa / 0 to 11.0 bar***

- continued -

Bulletin 71.1:67D

Ordering Guide (continued)

NACE International MR0175 Construction (Optional)⁽¹⁾

- Yes (not available with gauge)**

NACE International MR0103 Construction (Optional)

- Yes (not available with gauge)**

Replacement Parts Kit (Optional)

- Yes, send one replacement parts kit to match this order.

1. Product complies with the material requirements of NACE International MR0175. Environmental limits may apply.

Regulators Quick Order Guide	
***	Readily Available for Shipment
**	Allow Additional Time for Shipment
*	Special Order, Constructed from Non-Stocked Parts. Consult Your local Sales Office for Availability.
Availability of the product being ordered is determined by the component with the longest shipping time for the requested construction.	

Specification Worksheet

Application (Please designate units):
 Specific Use _____
 Line Size _____
 Gas Type and Specific Gravity _____
 Gas Temperature _____
 Does the Application Require Overpressure Protection?
 Yes No If yes, which is preferred:
 Relief Valve Monitor Regulator
 Shut-off Device
 Is overpressure protection equipment selection assistance desired? _____

Pressure (Please designate units):
 Maximum Inlet Pressure (P_{1max}) _____
 Minimum Inlet Pressure (P_{1min}) _____
 Downstream Pressure Setting(s) (P_2) _____
 Maximum Flow (Q_{max}) _____

Performance Required: _____
 Accuracy Requirements? _____
 Need for Extremely Fast Response? _____

Other Requirements: _____

Industrial Regulators

Emerson Process Management Regulator Technologies, Inc.

USA - Headquarters
 McKinney, Texas 75069-1872, USA
 Tel: +1 800 558 5853
 Outside U.S. +1 972 548 3574

Asia-Pacific
 Shanghai 201206, China
 Tel: +86 21 2892 9000

Europe
 Bologna 40013, Italy
 Tel: +39 051 419 0611

Middle East and Africa
 Dubai, United Arab Emirates
 Tel: +971 4811 8100

Natural Gas Technologies

Emerson Process Management Regulator Technologies, Inc.

USA - Headquarters
 McKinney, Texas 75069-1872, USA
 Tel: +1 800 558 5853
 Outside U.S. +1 972 548 3574

Asia-Pacific
 Singapore 128461, Singapore
 Tel: +65 6770 8337

Europe
 Bologna 40013, Italy
 Tel: +39 051 419 0611
 Gallardon 28320, France
 Tel: +33 2 37 33 47 00

TESCOM

Emerson Process Management Tescom Corporation

USA - Headquarters
 Elk River, Minnesota 55330-2445, USA
 Tel: +1 763 241 3238
 +1 800 447 1250

Europe
 Selmsdorf 23923, Germany
 Tel: +49 38823 31 287

Asia-Pacific
 Shanghai 201206, China
 Tel: +86 21 2892 9499

For further information visit www.fisherregulators.com

The Emerson logo is a trademark and service mark of Emerson Electric Co. All other marks are the property of their prospective owners. Fisher is a mark owned by Fisher Controls International LLC, a business of Emerson Process Management.

The contents of this publication are presented for informational purposes only, and while every effort has been made to ensure their accuracy, they are not to be construed as warranties or guarantees, express or implied, regarding the products or services described herein or their use or applicability. We reserve the right to modify or improve the designs or specifications of such products at any time without notice.

Emerson Process Management does not assume responsibility for the selection, use or maintenance of any product. Responsibility for proper selection, use and maintenance of any Emerson Process Management product remains solely with the purchaser.