

All stainless steel gas actuated thermometer

Model S5500

According EN 13190
 Nominal size 100 mm or 160 mm
 With or without capillary/contacts
 Accuracy: Class 1



Features

- Rugged stainless steel construction
- Fast response
- Protection IP65
- High repeatability and small hysteresis
- Dry or liquid filled
- Rigid stem or bulb with capillary

Ranges

-200 ... 50 °C up to 0 ... 800 °C
 -330 ... 120 °F up to 50 ... 1450 °F

Applications

Chemical and petrochemical industry
 Machine and apparatus construction
 Food and beverage industry
 Pulp and paper industry

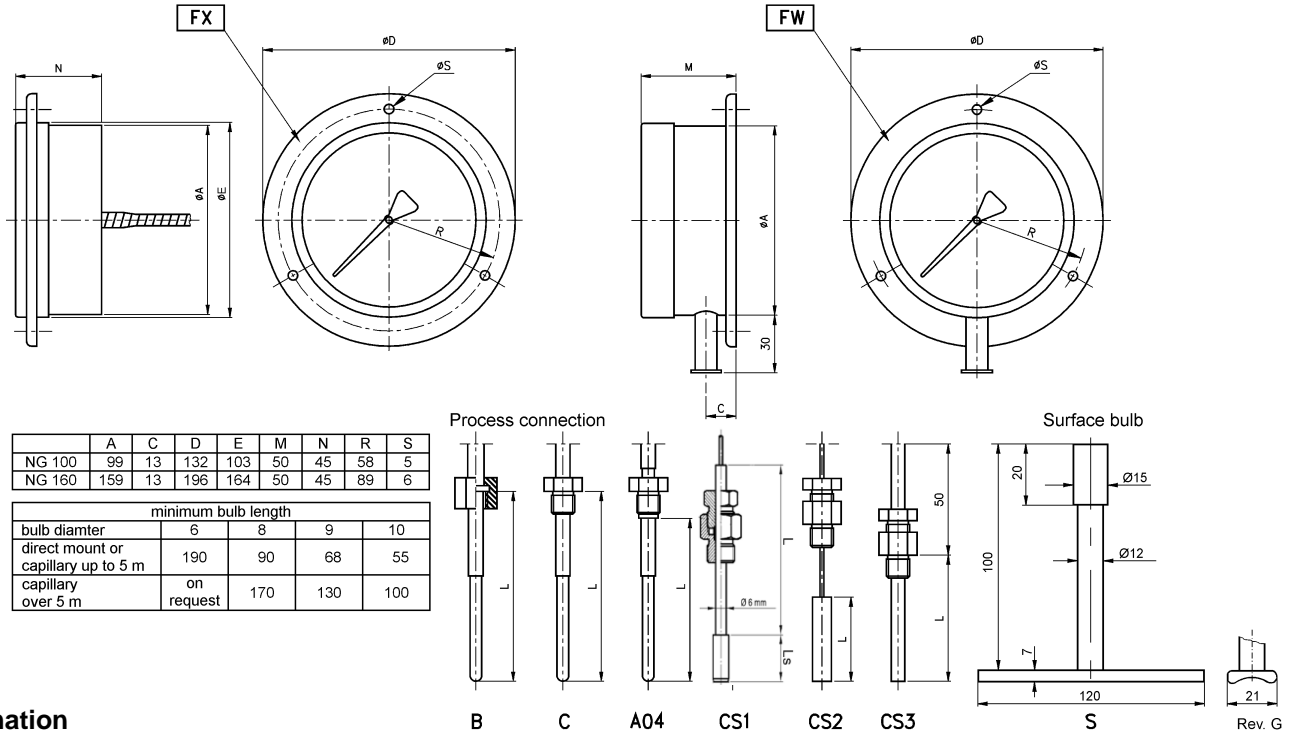


Technical specification	Rigid stem		With capillary																			
	100	160	100	160																		
Construction	Cylindrical case with bayonet ring (blow out at back is standard with ATEX)																					
Measuring principle	Inert gas actuated																					
Range in °C	0/60 0/80 0/100 0/120 0/160 0/200 0/250 0/300 0/400 0/500 0/700 0/800 -10/50 -10/110 -20/40 -20/100 -20/120 -20/180 -30/50 -30/70 -30/170 -40/40 -40/60 -40/160 -50/50 -60/40 -80/40 -100/50 -120/40 -200/50 Ranges in °F and dual scales on request																					
Overtemperature limit	Max. 130 % F.S. but max. 800 °C, optional 200 % F.S. but max. 800 °C																					
Stem or bulb diameter	6 mm, 8 mm, 9 mm, 10 mm, others on request																					
Lengths	55 ... 1000 mm, other length on request, min. length depends on bulb and range																					
Capillary length	N.A.		Max. 100 m																			
Process connection	Plain G ½ B male, G ¾ B male, G 1 B male according ISO 228-1, ½ NPT male, ¾ NPT male, 1 NPT male according ANSI/ASME B1.20.1, M20x1,5 male, M24x1,5 male, M27x2 male according ISO 68-1, others on request Fixed, adjustable union or with swivel nut																					
Connection location	Back, lower, knee joint bendable (360°)																					
Material	<table border="0"> <tr> <td>Connection</td> <td>Stainless steel 304 (1.4301)</td> </tr> <tr> <td>Stem</td> <td>Stainless steel 321 (1.4541)</td> </tr> <tr> <td>Case/ring</td> <td>Stainless steel 304 (1.4301), optional 316 (1.4401)</td> </tr> <tr> <td>Capillary</td> <td>Stainless steel 321 (1.4541)</td> </tr> <tr> <td>Armor</td> <td>Flexible, 304 (1.4301), or 316 (1.4401) optional PVC covered</td> </tr> <tr> <td>Window</td> <td>Instrument glass, optional laminated safety glass (standard with ATEX) or acrylic glass</td> </tr> <tr> <td>Dial</td> <td>Aluminum, black markings on white background</td> </tr> <tr> <td>Pointer</td> <td>Aluminum, black, optional micrometer pointer or maximum pointer</td> </tr> <tr> <td>Movement</td> <td>Stainless steel 304/303 (1.4301/1.4305)</td> </tr> </table>				Connection	Stainless steel 304 (1.4301)	Stem	Stainless steel 321 (1.4541)	Case/ring	Stainless steel 304 (1.4301), optional 316 (1.4401)	Capillary	Stainless steel 321 (1.4541)	Armor	Flexible, 304 (1.4301), or 316 (1.4401) optional PVC covered	Window	Instrument glass, optional laminated safety glass (standard with ATEX) or acrylic glass	Dial	Aluminum, black markings on white background	Pointer	Aluminum, black, optional micrometer pointer or maximum pointer	Movement	Stainless steel 304/303 (1.4301/1.4305)
Connection	Stainless steel 304 (1.4301)																					
Stem	Stainless steel 321 (1.4541)																					
Case/ring	Stainless steel 304 (1.4301), optional 316 (1.4401)																					
Capillary	Stainless steel 321 (1.4541)																					
Armor	Flexible, 304 (1.4301), or 316 (1.4401) optional PVC covered																					
Window	Instrument glass, optional laminated safety glass (standard with ATEX) or acrylic glass																					
Dial	Aluminum, black markings on white background																					
Pointer	Aluminum, black, optional micrometer pointer or maximum pointer																					
Movement	Stainless steel 304/303 (1.4301/1.4305)																					
Accuracy	Class 1 according to EN 13190																					
Zero adjustment	±6 % externally																					
Conformity according to RL 94/9/EC appendix X for mechanical equipment in potential hazardous areas	Optional for thermometer without electrical contacts: Marking CE II 2 G c or II 2 D c Optional for thermometers with inductive proximity switches: Marking CE II 2G Ex ia IIC T4 ... T6 Gb or CE II 2D Ex ia IIC T135°C ... T85°C Db File No. 35087702 at notified body 0044, TÜV NORD CERT																					
Protection according EN 60 529/IEC 529	IP65																					
Filling liquids	Glycerin, silicone																					
Weight dry/filled in kg	0,8/1,0 (stem length 100 mm)	1,2/3,0 (stem length 100 mm)	1,0/1,2 (stem length 100 mm, capillary 1,5 m)	1,4/3,2 (stem length 100 mm, capillary 1,5 m)																		
Accessories, options	Thermowells, dual scales, magnet spring- or inductive contacts, built in microswitch 1 or 2 SPDT, calibration certification. Thermowells must be used on all pressure or velocity applications, to protect the stem of thermometer from corrosion and physical damage, and to facilitate removal of the thermometer without disturbing the process.																					

All specifications are subject to change without notice.

G2.S5500/E Rev. L 10/2015

General dimensions in mm



Order information

Size	Bulb diameter	Length of bulb/stem	Length of capillary	Process connection	Connection size	Connection orientation	Range	Engineering units	Options
(100) 100 mm	(6) 6 mm	55 to 1000 mm	length in mm ¹⁾	(B) Turning nut	(50) G ½ B	(L) Lower	0/ 60	°C	(NH) Tagging wired
(160) >160 mm	(7) 7 mm			(C) Single nipple	(75) G ¾ B	(R) Back	0/ 80		(DA) Dial marking
	(8) 8 mm			(A04) Turning nipple	(10) G 1 B	(E2) Knee joint bendable (360°)	0/ 100		(CS) Dual scale
	(9) 9 mm			(CS1) Adjustable union connection sliding on tube ¹⁾	(50N) ½ NPT		0/ 120		(PD) Acrylic glass
	(10) 10 mm			(CS2) Adjustable union connection sliding on capillary	(75N) ¾ NPT		0/ 160		(SG) Safety glass
				(CS3) Adjustable union connection sliding on stem	(10N) 1 NPT		0/ 200	(MP) Micro pointer	
				(S) Surface bulb ²⁾	(M20) M20x1,5		0/ 250	(A4) Capillary st. st. armored ¹⁾	
					(M24) M24x1,5		0/ 300	(A5) Capillary st. st. armored with PVC covering ¹⁾	
					(M27) M27x2		0/ 400	(FX) Front flange	
							0/ 500	(FW) Back flange	
							0/ 700	(FH) Surface mounting bracket L = 100 mm	
							0/ 800	(UC) U-clamp	
							-10/ 50	(EP) Maximum pointer	
							-10/ 110	(TM) 2" pipe mounting bracket	
							-20/ 40	(ATEX) ATEX approval	
							-20/ 100		
							-20/ 120		
							-20/ 180		
							-30/ 50		
							-30/ 70		
							-30/ 170		
							-40/ 40		
							-40/ 60		
							-40/ 160		
							-50/ 50		
							-60/ 40		
							-80/ 40		
							-100/ 50		
							-120/ 40		
							-200/ 50		
others on request	others on request	others on request	max. length: 100 m	¹⁾ length of bulb (LS) must be specified. ²⁾ only for bulb diameter (7) others on request	others on request			°F and dual scale on request	other options on request for contacts see data sheet K55

Order example

Size	Type	Bulb diameter	Length of bulb/stem	Length of capillary	Process connection	Connection size	Connection orientation	Range	Engineering unit	Options
100	S5500	8	100	1500	CS2	50N	L	0/100	C	FW

Ashcroft Instruments GmbH

Germany
Max-Planck-Str. 1, D-52499 Baesweiler
P.O. Box 11 20, D-52490 Baesweiler
Tel.: +49 (0) 2401 808-0, Fax: +49 (0) 2401 808-125

France
48, Chemin des Landes
F-69700 Montagny
Tel.: +33 (0) 9 65 32 71 31, Fax: +33 (0) 4 72 39 10 57

Website: www.ashcroft.eu

e-Mail: sales@ashcroft.com

United Kingdom

Unit 17&18 William James House
Cowley Road, Cambridge CB4 0WX
Tel.: +44 (0) 12 23 39 55 00, Fax: +44 (0) 12 23 39 55 01