

North East Office

Charlton Street • Grimsby • N E Lincolnshire • DN31 1SQ
Tel 01472361 425 • Fax 01472 361420
E-mail sales@mjlwilsongroup.com

North West Office

Flotech House • Stuart Road • Bredbury Stockport • Cheshire • SK6 2SR
Tel 0161 406 2200 • Fax 0161 406 9196
E-mail sales@mjlwilsongroup.com

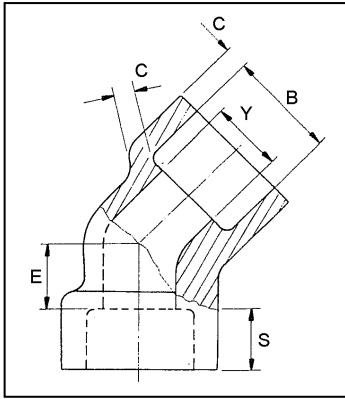
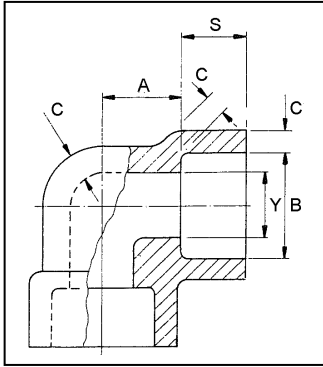
Southern Office

Unit 6 Bentley Street • Gravesend • Kent • DA12 2DH
Tel 01474 357660 • Fax 01474 354198
E-mail sales@mjlwilsongroup.com

Wales Office

Unit 3 Moy Road Industrial Estate • Taffs Well • Cardiff • CF15 7QR
Tel 02920 815000 • Fax 02920 813051
E-mail sales@mjlwilsongroup.com

3000 Socket Weld Pipe Fittings (Elbows, Tees & Crosses)

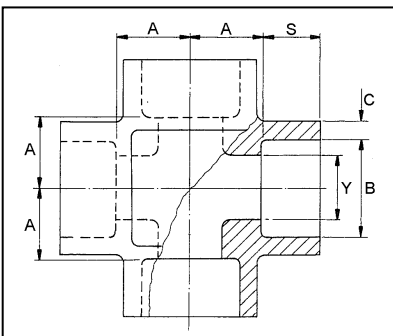
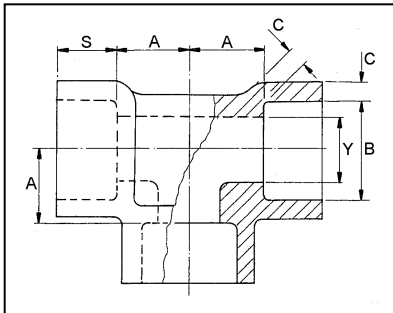


Pressure Class 3000

| N.B | Dim. A (mm) | Dim. B (mm) | Dim. C (mm) | Dim. Y (mm) | Dim. E (mm) | Dim. S (mm) |
|-----|----------------|----------------|----------------|----------------|----------------|----------------|
| 6 | 11 | 10.7 | 3.2 | 6.8 | 8 | 10 |
| 8 | 11 | 14.1 | 3.3 | 9.2 | 8 | 10 |
| 10 | 14 | 17.6 | 3.5 | 12.5 | 8 | 10 |
| 15 | 16 | 21.8 | 4.1 | 15.5 | 11 | 10 |
| 20 | 19 | 27.4 | 4.3 | 21.0 | 13 | 13 |
| 25 | 22 | 34.1 | 5.0 | 26.5 | 15 | 13 |
| 32 | 27 | 42.9 | 5.3 | 35.0 | 18 | 13 |
| 40 | 32 | 49.0 | 5.6 | 40.5 | 21 | 13 |
| 50 | 38 | 61.0 | 6.1 | 52.0 | 26 | 16 |
| 65 | 41 | 73.8 | 7.7 | 62.0 | 29 | 16 |
| 80 | 57 | 89.7 | 8.3 | 78.0 | 32 | 16 |
| 100 | 67 | 115.5 | 9.4 | 100.7 | 48 | 19 |

Pressure Class 6000

| N.B | Dim. A (mm) | Dim. B (mm) | Dim. C (mm) | Dim. Y (mm) | Dim. E (mm) | Dim. S (mm) |
|-----|----------------|----------------|----------------|----------------|----------------|----------------|
| 6 | 11 | 10.7 | 3.45 | 3.2 | 7 | 10 |
| 8 | 15 | 14.1 | 4.00 | 5.6 | 7 | 10 |
| 10 | 15 | 17.6 | 4.35 | 8.4 | 10 | 10 |
| 15 | 19 | 21.8 | 5.2 | 11.0 | 13 | 10 |
| 20 | 22 | 27.4 | 6.1 | 14.8 | 14 | 13 |
| 25 | 27 | 34.1 | 7.0 | 19.9 | 18 | 13 |
| 32 | 32 | 42.9 | 7.0 | 28.7 | 21 | 13 |
| 40 | 38 | 49.0 | 7.8 | 33.2 | 26 | 13 |
| 50 | 41 | 61.0 | 9.5 | 42.1 | 29 | 16 |
| 65 | 57 | 73.8 | 10.4 | 54.0 | 32 | 16 |
| 80 | 64 | 89.7 | 12.2 | 67.0 | 41 | 16 |



North East Office

Charlton Street • Grimsby • N E Lincolnshire • DN31 1SQ
Tel 01472361 425 • Fax 01472 361420
E-mail sales@mjlwilsongroup.com

North West Office

Flotech House • Stuart Road • Bredbury Stockport • Cheshire • SK6 2SR
Tel 0161 406 2200 • Fax 0161 406 9196
E-mail sales@mjlwilsongroup.com

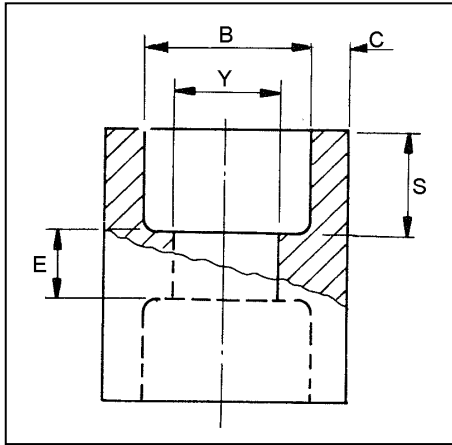
Southern Office

Unit 6 Bentley Street • Gravesend • Kent • DA12 2DH
Tel 01474 357660 • Fax 01474 354198
E-mail sales@mjlwilsongroup.com

Wales Office

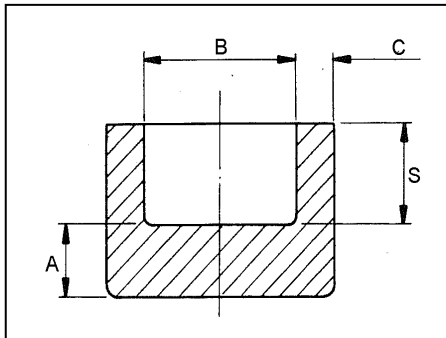
Unit 3 Moy Road Industrial Estate • Taffs Well • Cardiff • CF15 7QR
Tel 02920 815000 • Fax 02920 813051
E-mail sales@mjlwilsongroup.com

3000 Socket Weld Pipe Fittings (Couplings, Caps & Half Couplings)



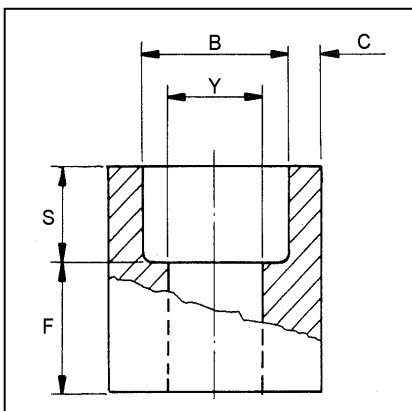
Pressure Class 3000

| N.B | Dim. A (mm) | Dim. B (mm) | Dim. C (mm) | Dim. Y (mm) | Dim. E (mm) | Dim. F (mm) | Dim. S (mm) |
|-----|----------------|----------------|----------------|----------------|----------------|----------------|----------------|
| 6 | 4 | 10.7 | 3.2 | 6.8 | 6 | 16 | 10 |
| 8 | 7 | 14.1 | 3.3 | 9.2 | 6 | 16 | 10 |
| 10 | 7 | 17.6 | 3.5 | 12.5 | 6 | 17 | 10 |
| 15 | 8 | 21.8 | 4.1 | 15.5 | 10 | 22 | 10 |
| 20 | 10 | 27.4 | 4.3 | 21.0 | 10 | 24 | 13 |
| 25 | 11 | 34.1 | 5.0 | 26.5 | 13 | 29 | 13 |
| 32 | 13 | 42.9 | 5.3 | 35.0 | 13 | 30 | 13 |
| 40 | 14 | 49.0 | 5.6 | 40.5 | 13 | 32 | 13 |
| 50 | 18 | 61.0 | 6.1 | 52.0 | 19 | 41 | 16 |
| 65 | 21 | 73.8 | 7.7 | 62.0 | 19 | 43 | 16 |
| 80 | 24 | 89.7 | 8.3 | 78.0 | 19 | 44 | 16 |
| 100 | - | 115.5 | 9.4 | 101.0 | 19 | 47 | 19 |



Pressure Class 6000

| N.B | Dim. A (mm) | Dim. B (mm) | Dim. C (mm) | Dim. Y (mm) | Dim. E (mm) | Dim. F (mm) | Dim. S (mm) |
|-----|----------------|----------------|----------------|----------------|----------------|----------------|----------------|
| 6 | - | 10.7 | 3.5 | 4.0 | 6 | 16 | 10 |
| 8 | - | 14.1 | 4.0 | 6.4 | 6 | 16 | 10 |
| 10 | - | 17.6 | 4.4 | 9.2 | 6 | 17 | 10 |
| 15 | 11 | 21.8 | 5.2 | 11.8 | 10 | 22 | 10 |
| 20 | 13 | 27.4 | 6.1 | 15.5 | 10 | 24 | 13 |
| 25 | 14 | 34.1 | 7.0 | 20.5 | 13 | 29 | 13 |
| 32 | 18 | 42.9 | 7.0 | 29.5 | 13 | 30 | 13 |
| 40 | 19 | 49.0 | 7.8 | 34.0 | 13 | 32 | 13 |
| 50 | 24 | 61.0 | 9.5 | 43.0 | 19 | 41 | 16 |
| 65 | 29 | 73.8 | 10.4 | 54.0 | 19 | 43 | 16 |
| 80 | 34 | 89.7 | 12.2 | 67.0 | 19 | 44 | 16 |



North East Office

Charlton Street • Grimsby • N E Lincolnshire • DN31 1SQ
Tel 01472361 425 • Fax 01472 361420
E-mail sales@mjwilsongroup.com

North West Office

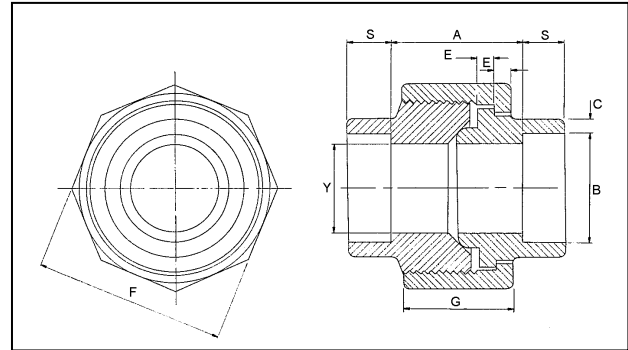
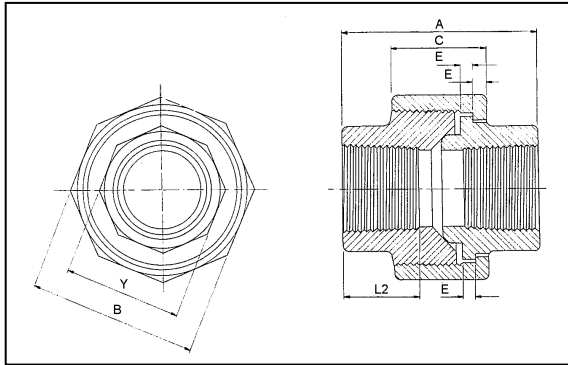
Flotech House • Stuart Road • Bredbury Stockport • Cheshire • SK6 2SR
Tel 0161 406 2200 • Fax 0161 406 9196
E-mail sales@mjwilsongroup.com

Southern Office

Unit 6 Bentley Street • Gravesend • Kent • DA12 2DH
Tel 01474 357660 • Fax 01474 354198
E-mail sales@mjwilsongroup.com

Wales Office

Unit 3 Moy Road Industrial Estate • Taffs Well • Cardiff • CF15 7QR
Tel 02920 815000 • Fax 02920 813051
E-mail sales@mjwilsongroup.com



3000 Screwed Unions (Pressure Class 3000)

| N.B | Dim. A (mm) | Dim. B (mm) | Dim. C (mm) | Dim. Y (mm) | Dim. E (mm) |
|-----|----------------|----------------|----------------|----------------|----------------|
| 6 | 40 | 32 | 16 | 17 | 3.2 |
| 8 | 43 | 32 | 18 | 19 | 3.2 |
| 10 | 48 | 36 | 19 | 22 | 3.2 |
| 15 | 51 | 43 | 21 | 30 | 4.0 |
| 20 | 57 | 50 | 24 | 36 | 4.8 |
| 25 | 64 | 60 | 25 | 41 | 4.8 |
| 32 | 70 | 70 | 29 | 50 | 5.6 |
| 40 | 79 | 78 | 30 | 60 | 5.6 |
| 50 | 89 | 95 | 37 | 70 | 6.4 |
| 65 | 118 | 125 | 48 | 85 | 9.6 |
| 80 | 121 | 140 | 51 | 100 | 12.7 |

3000 Socket Weld Unions (Pressure Class 3000)

| N.B | Dim. A (mm) | Dim. B (mm) | Dim. C (mm) | Dim. Y (mm) | Dim. E (mm) | Dim. F (mm) | Dim. G (mm) | Dim. S (mm) |
|-----|----------------|----------------|----------------|----------------|----------------|----------------|----------------|----------------|
| 6 | 17 | 10.7 | 3.2 | 6.8 | 3.2 | 32 | 16 | 10 |
| 8 | 17 | 14.1 | 3.3 | 9.2 | 3.2 | 32 | 18 | 10 |
| 10 | 17 | 17.6 | 3.5 | 12.5 | 3.2 | 36 | 19 | 10 |
| 15 | 18 | 21.8 | 4.1 | 15.5 | 4.0 | 41 | 21 | 10 |
| 20 | 20 | 27.4 | 4.3 | 21.0 | 4.8 | 50 | 24 | 13 |
| 25 | 26 | 34.1 | 5.0 | 26.5 | 4.8 | 60 | 25 | 13 |
| 32 | 28 | 42.9 | 5.3 | 35.0 | 5.6 | 70 | 29 | 13 |
| 40 | 30 | 49.0 | 5.6 | 40.5 | 5.6 | 78 | 30 | 13 |
| 50 | 36 | 61.0 | 6.1 | 52.0 | 6.4 | 95 | 37 | 16 |
| 65 | 57 | 73.8 | 7.7 | 62.0 | 9.6 | 125 | 48 | 16 |
| 80 | 70 | 89.7 | 8.3 | 78.0 | 12.7 | 140 | 51 | 16 |

North East Office

Charlton Street • Grimsby • N E Lincolnshire • DN31 1SQ
Tel 01472361 425 • Fax 01472 361420
E-mail sales@mjlwilsongroup.com

North West Office

Flotech House • Stuart Road • Bredbury Stockport • Cheshire • SK6 2SR
Tel 0161 406 2200 • Fax 0161 406 9196
E-mail sales@mjlwilsongroup.com

Southern Office

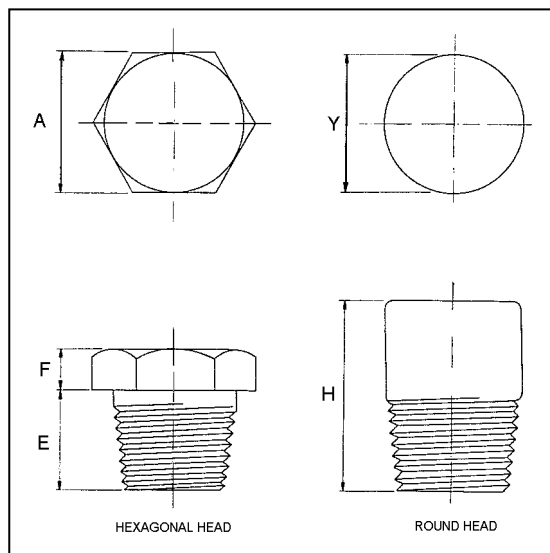
Unit 6 Bentley Street • Gravesend • Kent • DA12 2DH
Tel 01474 357660 • Fax 01474 354198
E-mail sales@mjlwilsongroup.com

Wales Office

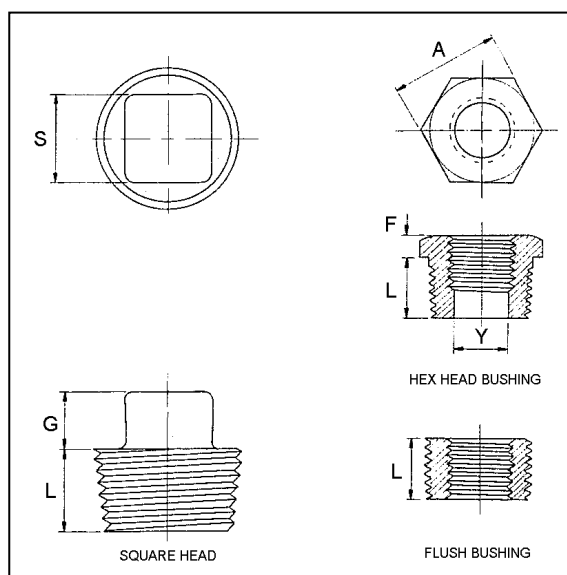
Unit 3 Moy Road Industrial Estate • Taffs Well • Cardiff • CF15 7QR
Tel 02920 815000 • Fax 02920 813051
E-mail sales@mjlwilsongroup.com

3000 Screwed Pipe Fittings (Plugs & Bushings)

| N.B | Dim. A (mm) | Dim. Y (mm) | Dim. E (mm) | Dim. F (mm) | Dim. H (mm) |
|-----|----------------|----------------|----------------|----------------|----------------|
| 6 | 11 | 10 | 10 | 6 | 35 |
| 8 | 16 | 14 | 15 | 6 | 41 |
| 10 | 18 | 18 | 16 | 8 | 41 |
| 15 | 22 | 21 | 20 | 8 | 45 |
| 20 | 27 | 27 | 21 | 10 | 45 |
| 25 | 36 | 33 | 25 | 10 | 51 |
| 32 | 46 | 43 | 26 | 14 | 51 |
| 40 | 50 | 48 | 26 | 16 | 51 |
| 50 | 65 | 60 | 27 | 18 | 64 |
| 65 | 75 | 73 | 41 | 19 | 70 |
| 80 | 90 | 90 | 42 | 21 | 70 |
| 100 | 115 | 114 | 45 | 32 | 76 |



| N.B | Dim. L (mm) | Dim. G (mm) | Dim. S (mm) | Dim. F (mm) | Dim. A (mm) |
|-----|----------------|----------------|----------------|----------------|----------------|
| 6 | 10 | 6 | 7 | - | 11 |
| 8 | 11 | 6 | 10 | 3 | 16 |
| 10 | 13 | 8 | 11 | 4 | 18 |
| 15 | 14 | 10 | 14 | 5 | 22 |
| 20 | 18 | 11 | 16 | 6 | 27 |
| 25 | 19 | 13 | 21 | 6 | 36 |
| 32 | 21 | 14 | 24 | 7 | 46 |
| 40 | 21 | 16 | 29 | 8 | 50 |
| 50 | 22 | 18 | 33 | 9 | 65 |
| 65 | 27 | 19 | 38 | 10 | 75 |
| 80 | 29 | 21 | 43 | 10 | 90 |
| 100 | 32 | 32 | 64 | 13 | 115 |



North East Office

Charlton Street • Grimsby • N E Lincolnshire • DN31 1SQ
Tel 01472361 425 • Fax 01472 361420
E-mail sales@mjlwilsongroup.com

North West Office

Flotech House • Stuart Road • Bredbury Stockport • Cheshire • SK6 2SR
Tel 0161 406 2200 • Fax 0161 406 9196
E-mail sales@mjlwilsongroup.com

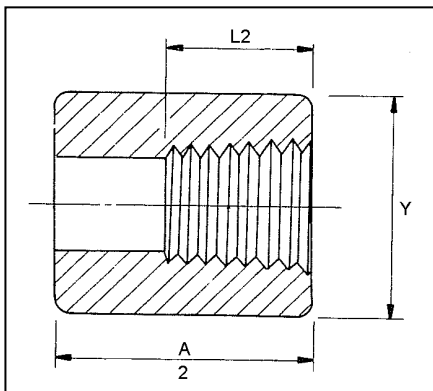
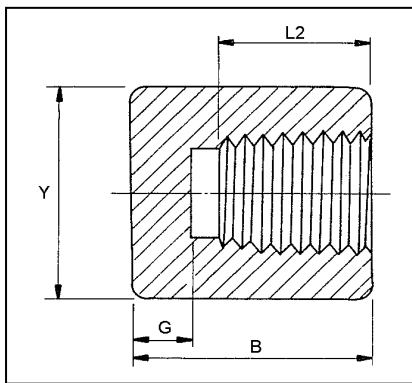
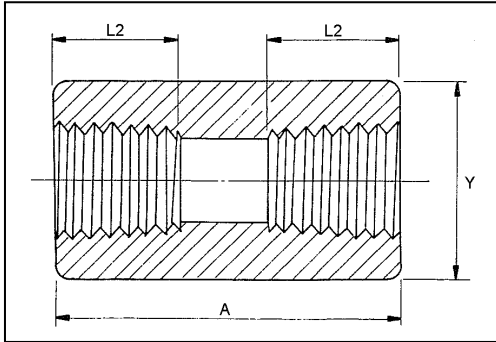
Southern Office

Unit 6 Bentley Street • Gravesend • Kent • DA12 2DH
Tel 01474 357660 • Fax 01474 354198
E-mail sales@mjlwilsongroup.com

Wales Office

Unit 3 Moy Road Industrial Estate • Taffs Well • Cardiff • CF15 7QR
Tel 02920 815000 • Fax 02920 813051
E-mail sales@mjlwilsongroup.com

3000 Screwed Pipe Fittings (Couplings, Caps & Half Couplings)



| N.B | Dim. A (mm) | Dim . B (mm) | Dim. Y (mm) | Dim. G (mm) |
|-----|----------------|-----------------|----------------|----------------|
| 6 | 32 | 19 | 16 | 5 |
| 8 | 35 | 25 | 19 | 5 |
| 10 | 38 | 25 | 22 | 5 |
| 15 | 48 | 32 | 29 | 6 |
| 20 | 51 | 37 | 35 | 6 |
| 25 | 60 | 41 | 45 | 10 |
| 32 | 67 | 45 | 57 | 10 |
| 40 | 79 | 45 | 64 | 11 |
| 50 | 86 | 48 | 76 | 13 |
| 65 | 92 | 60 | 92 | 16 |
| 80 | 108 | 65 | 108 | 19 |
| 100 | 121 | 68 | 140 | 22 |

| N.B | Dim. A (mm) | Dim . B (mm) | Dim. Y (mm) | Dim. G (mm) |
|-----|----------------|-----------------|----------------|----------------|
| 6 | 32 | - | 22 | - |
| 8 | 35 | 27 | 25 | 6 |
| 10 | 38 | 27 | 32 | 6 |
| 15 | 48 | 33 | 38 | 8 |
| 20 | 51 | 38 | 45 | 8 |
| 25 | 60 | 43 | 57 | 11 |
| 32 | 67 | 46 | 64 | 11 |
| 40 | 79 | 48 | 76 | 13 |
| 50 | 86 | 51 | 92 | 16 |
| 65 | 92 | 64 | 108 | 19 |
| 80 | 108 | 68 | 127 | 22.4 |
| 100 | 121 | 75 | 159 | 28.4 |

North East Office

Charlton Street • Grimsby • N E Lincolnshire • DN31 1SQ
Tel 01472361 425 • Fax 01472 361420
E-mail sales@mjlwilsongroup.com

North West Office

Flotech House • Stuart Road • Bredbury Stockport • Cheshire • SK6 2SR
Tel 0161 406 2200 • Fax 0161 406 9196
E-mail sales@mjlwilsongroup.com

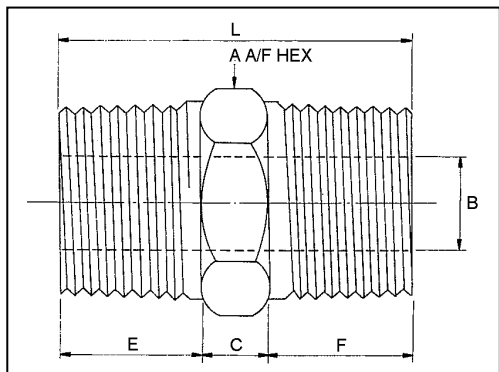
Southern Office

Unit 6 Bentley Street • Gravesend • Kent • DA12 2DH
Tel 01474 357660 • Fax 01474 354198
E-mail sales@mjlwilsongroup.com

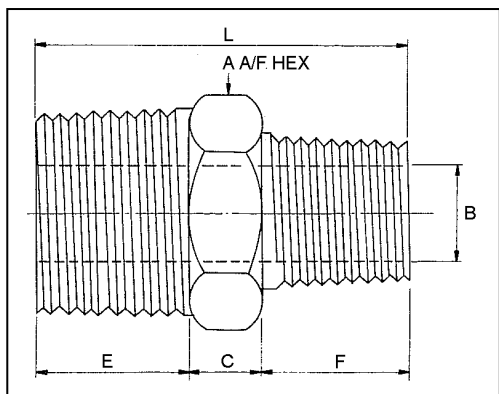
Wales Office

Unit 3 Moy Road Industrial Estate • Taffs Well • Cardiff • CF15 7QR
Tel 02920 815000 • Fax 02920 813051
E-mail sales@mjlwilsongroup.com

3000 Screwed Pipe Fittings (Straight & Red Hexagon Nipples)



| N.B | Dim. A (mm) | Dim . B (mm) | Dim. C (mm) | Dim. E (mm) | Dim. F (mm) | Dim. L (mm) |
|---------|-------------|--------------|-------------|-------------|-------------|-------------|
| 6 | 11 | 5 | 6 | 10 | - | 26 |
| 8 | 15 | 8 | 6 | 15 | - | 36 |
| 8 x 6 | 15 | 5 | 6 | 15 | 10 | 31 |
| 10 | 18 | 11 | 8 | 16 | - | 40 |
| 10 x 8 | 18 | 8 | 8 | 16 | 15 | 39 |
| 15 | 22 | 14 | 8 | 20 | - | 48 |
| 15 x 10 | 22 | 11 | 8 | 20 | 16 | 44 |
| 15 x 8 | 22 | 8 | 8 | 20 | 15 | 43 |
| 20 | 27 | 19 | 10 | 21 | - | 52 |
| 20 x 15 | 27 | 14 | 9 | 21 | 20 | 50 |
| 20 x 10 | 27 | 11 | 9 | 21 | 16 | 46 |
| 25 | 35 | 24 | 10 | 25 | - | 60 |
| 25 x 20 | 35 | 19 | 10 | 25 | 21 | 56 |
| 25 x 15 | 35 | 14 | 10 | 25 | 20 | 55 |
| 40 | 50 | 38 | 16 | 26 | - | 68 |
| 40 x 25 | 50 | 24 | 16 | 26 | 25 | 67 |
| 40 x 20 | 50 | 19 | 16 | 26 | 21 | 63 |
| 40 x 15 | 50 | 14 | 16 | 26 | 20 | 62 |
| 50 | 62 | 49 | 17 | 27 | - | 71 |
| 50 x 40 | 62 | 38 | 17 | 27 | 26 | 70 |
| 50 x 25 | 62 | 24 | 18 | 27 | 25 | 70 |
| 50 x 20 | 62 | 19 | 17 | 27 | 21 | 65 |
| 50 x 15 | 62 | 14 | 18 | 27 | 20 | 65 |



| N.B | Dim. A (mm) | Dim . B (mm) | Dim. C (mm) | Dim. E (mm) | Dim. F (mm) | Dim. L (mm) |
|---------|-------------|--------------|-------------|-------------|-------------|-------------|
| 6 | 11 | 2 | 6 | 10 | - | 26 |
| 8 | 15 | 6 | 6 | 15 | - | 36 |
| 8 x 6 | 15 | 2 | 6 | 15 | 10 | 31 |
| 10 | 18 | 8 | 8 | 16 | - | 40 |
| 10 x 8 | 13 | 6 | 8 | 16 | 15 | 39 |
| 15 | 22 | 11 | 8 | 20 | - | 48 |
| 15 x 10 | 22 | 8 | 8 | 20 | 16 | 44 |
| 15 x 8 | 22 | 6 | 8 | 20 | 15 | 43 |
| 20 | 27 | 13 | 10 | 21 | - | 52 |
| 20 x 15 | 27 | 11 | 9 | 21 | 20 | 50 |
| 20 x 10 | 27 | 8 | 9 | 21 | 16 | 46 |
| 25 | 35 | 17 | 10 | 25 | - | 60 |
| 25 x 20 | 35 | 13 | 10 | 25 | 21 | 56 |
| 25 x 15 | 35 | 11 | 10 | 25 | 20 | 55 |
| 40 | 50 | 30 | 16 | 26 | - | 68 |
| 40 x 25 | 50 | 17 | 16 | 26 | 25 | 67 |
| 40 x 20 | 50 | 13 | 16 | 26 | 21 | 63 |
| 40 x 15 | 50 | 11 | 16 | 26 | 20 | 62 |
| 50 | 62 | 39 | 17 | 27 | - | 71 |
| 50 x 40 | 62 | 30 | 17 | 27 | 26 | 70 |
| 50 x 25 | 62 | 17 | 18 | 27 | 25 | 70 |
| 50 x 20 | 62 | 13 | 17 | 27 | 21 | 65 |
| 50 x 15 | 62 | 11 | 18 | 27 | 20 | 65 |

North East Office

Charlton Street • Grimsby • N E Lincolnshire • DN31 1SQ
Tel 01472361 425 • Fax 01472 361420
E-mail sales@mjlwilsongroup.com

North West Office

Flotech House • Stuart Road • Bredbury Stockport • Cheshire • SK6 2SR
Tel 0161 406 2200 • Fax 0161 406 9196
E-mail sales@mjlwilsongroup.com

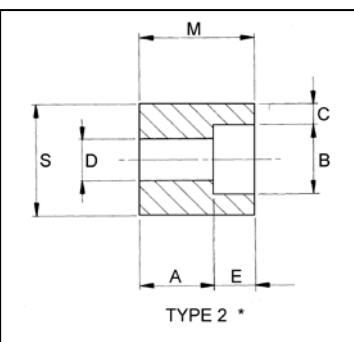
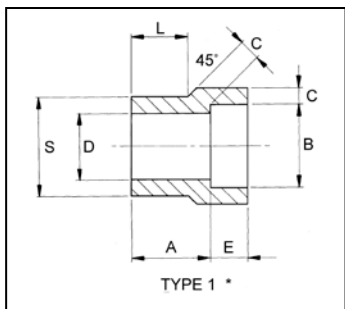
Southern Office

Unit 6 Bentley Street • Gravesend • Kent • DA12 2DH
Tel 01474 357660 • Fax 01474 354198
E-mail sales@mjlwilsongroup.com

Wales Office

Unit 3 Moy Road Industrial Estate • Taffs Well • Cardiff • CF15 7QR
Tel 02920 815000 • Fax 02920 813051
E-mail sales@mjlwilsongroup.com

3000 Welding Inserts



| N.B (mm) | Dim. A (mm) | Dim. E (mm) | Dim. M (mm) | Dim. L (mm) | Dim. B (mm) | Dim. D (mm) | Dim. S (mm) | Dim. C (mm) | Type * |
|-------------|-------------------|-------------------|-------------------|-------------------|-------------------|-------------------|-------------------|-------------------|--------|
| 10 x 8 | 19.05 | 9.65 | | 14.22 | 14.35 | 9.24 | 17.14 | 3.78 | 1 |
| 15 x 8 | 20.57 | 9.65 | | 15.74 | 14.35 | 9.24 | 21.33 | 3.78 | 1 |
| 15 x 10 | 20.57 | 9.65 | | 15.74 | 17.78 | 12.52 | 21.33 | 4.01 | 1 |
| 20 x 8 | 17.52 | 9.65 | 26.92 | | 14.35 | 9.24 | 26.67 | 3.78 | 2 |
| 20 x 10 | 15.74 | 9.65 | 26.92 | | 17.78 | 12.52 | 26.67 | 4.01 | 2 |
| 20 x 15 | 22.35 | 9.65 | | 17.52 | 21.97 | 15.79 | 26.67 | 4.67 | 1 |
| 25 x 8 | 19.05 | 9.65 | 28.44 | | 14.35 | 9.24 | 33.40 | 3.78 | 2 |
| 25 x 10 | 17.52 | 9.65 | 28.44 | | 17.78 | 12.52 | 33.40 | 4.01 | 2 |
| 25 x 15 | 15.74 | 9.65 | 28.44 | | 21.97 | 15.79 | 33.40 | 4.67 | 2 |
| 25 x 20 | 23.87 | 12.70 | | 19.05 | 27.30 | 20.92 | 33.40 | 4.90 | 1 |
| 32 x 8 | 22.35 | 9.65 | 31.75 | | 14.35 | 9.24 | 42.16 | 3.78 | 2 |
| 32 x 10 | 20.57 | 9.65 | 31.75 | | 17.78 | 12.52 | 42.16 | 4.01 | 2 |
| 32 x 15 | 19.05 | 9.65 | 31.75 | | 21.97 | 15.79 | 42.16 | 4.67 | 2 |
| 32 x 20 | 17.52 | 12.70 | 31.75 | | 27.30 | 20.92 | 42.16 | 4.90 | 2 |
| 32 x 25 | 25.40 | 12.70 | | 20.57 | 34.03 | 26.64 | 42.16 | 5.68 | 1 |
| 40 x 10 | 22.35 | 9.65 | 33.27 | | 17.78 | 12.52 | 48.26 | 4.01 | 2 |
| 40 x 15 | 20.57 | 9.65 | 33.27 | | 21.97 | 15.79 | 48.26 | 4.67 | 2 |
| 40 x 20 | 19.05 | 12.70 | 33.27 | | 27.30 | 20.92 | 48.26 | 4.90 | 2 |
| 40 x 25 | 17.52 | 12.70 | 33.27 | | 34.03 | 26.64 | 48.26 | 5.69 | 2 |
| 40 x 32 | 28.44 | 12.70 | | 22.35 | 42.79 | 35.05 | 48.26 | 6.07 | 1 |
| 50 x 15 | 25.40 | 9.65 | 38.10 | | 21.97 | 15.79 | 60.32 | 4.67 | 2 |
| 50 x 20 | 23.87 | 12.70 | 38.10 | | 27.30 | 20.92 | 60.32 | 4.90 | 2 |
| 50 x 25 | 22.35 | 12.70 | 38.10 | | 34.03 | 26.64 | 60.32 | 5.69 | 2 |
| 50 x 32 | 20.57 | 12.70 | 38.10 | | 42.79 | 35.05 | 60.32 | 6.07 | 2 |
| 50 x 40 | 31.75 | 12.70 | | 25.40 | 48.89 | 40.89 | 60.32 | 6.35 | 1 |
| 65 x 20 | 39.62 | 12.70 | 53.84 | | 27.30 | 20.92 | 73.02 | 4.90 | 2 |
| 65 x 25 | 38.10 | 12.70 | 53.84 | | 34.03 | 26.64 | 73.02 | 5.69 | 2 |
| 65 x 32 | 36.57 | 12.70 | 53.84 | | 42.79 | 35.05 | 73.02 | 6.07 | 2 |
| 65 x 40 | 35.05 | 12.70 | 53.84 | | 48.89 | 40.89 | 73.02 | 6.35 | 2 |
| 65 x 50 | 45.97 | 15.74 | | 38.10 | 61.36 | 52.50 | 73.02 | 6.93 | 1 |
| 80 x 25 | 31.75 | 12.70 | 47.49 | | 34.03 | 26.64 | 88.90 | 5.69 | 2 |
| 80 x 32 | 30.22 | 12.70 | 47.49 | | 42.79 | 35.05 | 88.90 | 6.07 | 2 |
| 80 x 40 | 28.44 | 12.70 | 47.49 | | 48.89 | 40.89 | 88.90 | 6.35 | 2 |
| 80 x 50 | 25.40 | 15.74 | 47.49 | | 61.36 | 52.50 | 88.90 | 6.93 | 2 |
| 80 x 65 | 38.10 | 15.74 | | 31.75 | 74.06 | 62.71 | 88.90 | 8.76 | 1 |
| 100 x 32 | 33.27 | 12.70 | 60.04 | | 42.79 | 35.05 | 114.30 | 6.07 | 2 |
| 100 x 40 | 38.10 | 12.70 | 60.04 | | 48.89 | 40.89 | 114.30 | 6.35 | 2 |
| 100 x 50 | 38.10 | 15.74 | 60.04 | | 61.36 | 52.50 | 114.30 | 6.93 | 2 |
| 100 x 65 | 41.14 | 15.74 | 60.04 | | 74.06 | 62.71 | 114.30 | 8.76 | 2 |
| 100 x 80 | 42.92 | 15.74 | 60.04 | | 90.04 | 77.92 | 114.30 | 9.30 | 2 |

Note : At the option of the manufacturer Type 2 Reducers may be furnished in Type 1 configuration.

North East Office

Charlton Street • Grimsby • N E Lincolnshire • DN31 1SQ
Tel 01472361 425 • Fax 01472 361420
E-mail sales@mjlwilsongroup.com

North West Office

Flotech House • Stuart Road • Bredbury Stockport • Cheshire • SK6 2SR
Tel 0161 406 2200 • Fax 0161 406 9196
E-mail sales@mjlwilsongroup.com

Southern Office

Unit 6 Bentley Street • Gravesend • Kent • DA12 2DH
Tel 01474 357660 • Fax 01474 354198
E-mail sales@mjlwilsongroup.com

Wales Office

Unit 3 Moy Road Industrial Estate • Taffs Well • Cardiff • CF15 7QR
Tel 02920 815000 • Fax 02920 813051
E-mail sales@mjlwilsongroup.com

6000 Welding Inserts

| N.B (mm) | Dim. A (mm) | Dim. E (mm) | Dim. M (mm) | Dim. L (mm) | Dim. B (mm) | Dim. D (mm) | Dim. S (mm) | Dim. C (mm) | Type * |
|-------------|----------------|----------------|----------------|----------------|----------------|----------------|----------------|----------------|-----------|
| 10 x 8 | 21.33 | 9.65 | | 15.74 | 14.35 | 6.35 | 17.14 | 4.59 | 1 |
| 15 x 8 | 20.57 | 9.65 | | 15.74 | 14.35 | 6.35 | 21.34 | 4.59 | 1 |
| 15 x 10 | 23.11 | 9.65 | | 15.74 | 17.78 | 9.11 | 21.34 | 5.02 | 1 |
| 20 x 8 | 22.35 | 9.65 | 32.00 | | 14.35 | 6.35 | 26.67 | 4.59 | 2 |
| 20 x 10 | 22.35 | 9.65 | | 19.05 | 17.78 | 9.11 | 26.67 | 5.02 | 1 |
| 20 x 15 | 25.40 | 9.65 | | 19.05 | 21.97 | 11.78 | 26.67 | 5.97 | 1 |
| 25 x 8 | 23.87 | 9.65 | 33.27 | | 14.35 | 6.35 | 33.40 | 4.60 | 2 |
| 25 x 10 | 22.35 | 9.65 | 33.27 | | 17.78 | 9.11 | 33.40 | 5.02 | 2 |
| 25 x 15 | 28.44 | 9.65 | | 20.57 | 21.97 | 11.78 | 33.40 | 5.97 | 1 |
| 25 x 20 | 28.44 | 12.70 | | 20.57 | 27.30 | 15.54 | 33.40 | 6.96 | 1 |
| 32 x 8 | 25.40 | 9.65 | 34.79 | | 14.35 | 6.35 | 42.16 | 4.60 | 2 |
| 32 x 10 | 23.87 | 9.65 | 34.79 | | 17.78 | 9.11 | 42.16 | 5.02 | 2 |
| 32 x 15 | 22.35 | 9.65 | 34.79 | | 21.97 | 11.78 | 42.16 | 5.97 | 2 |
| 32 x 20 | 20.57 | 12.70 | 34.79 | | 27.30 | 15.54 | 42.16 | 6.96 | 2 |
| 32 x 25 | 30.22 | 12.70 | | 22.35 | 34.03 | 20.70 | 42.16 | 7.92 | 1 |
| 40 x 10 | 28.44 | 9.65 | 33.27 | | 17.78 | 9.11 | 48.26 | 5.02 | 2 |
| 40 x 15 | 26.92 | 9.65 | 33.27 | | 21.97 | 11.78 | 48.26 | 5.97 | 2 |
| 40 x 20 | 25.40 | 12.70 | 33.27 | | 27.30 | 15.54 | 48.26 | 6.96 | 2 |
| 40 x 25 | 29.21 | 12.70 | 33.27 | | 34.03 | 20.70 | 48.26 | 7.92 | 2 |
| 40 x 32 | 35.05 | 12.70 | | 25.40 | 42.79 | 29.46 | 48.26 | 7.92 | 1 |
| 50 x 15 | 28.44 | 9.65 | 38.01 | | 21.97 | 11.78 | 60.32 | 5.97 | 2 |
| 50 x 20 | 26.92 | 12.70 | 38.01 | | 27.30 | 15.54 | 60.32 | 6.96 | 2 |
| 50 x 25 | 25.40 | 12.70 | 38.01 | | 34.03 | 20.70 | 60.32 | 7.92 | 2 |
| 50 x 32 | 23.87 | 12.70 | 38.01 | | 42.79 | 29.46 | 60.32 | 7.92 | 2 |
| 50 x 40 | 38.86 | 12.70 | | 28.70 | 48.89 | 33.98 | 60.32 | 8.91 | 1 |
| 65 x 20 | 38.10 | 12.70 | | 53.84 | 27.30 | 15.54 | 73.02 | 6.96 | 2 |

